

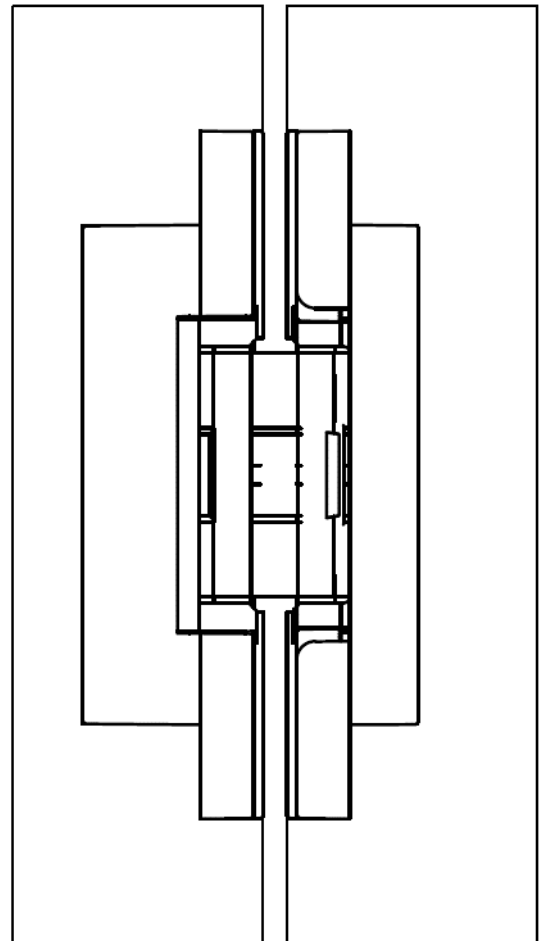
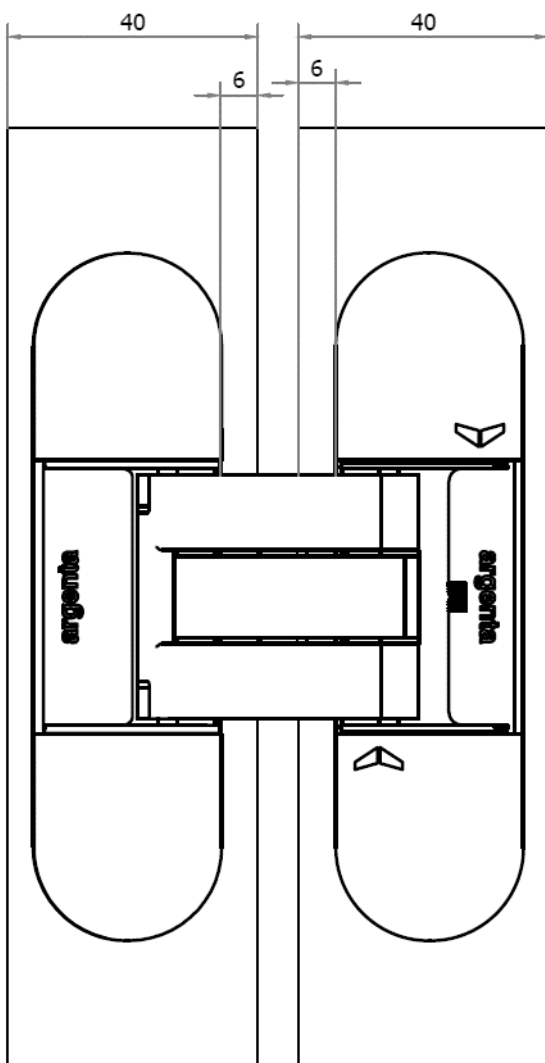


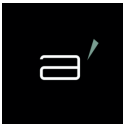
Technical Data Sheet

Arlu® (Argenta®)

Invisible Tyo

For door frames with a minimal fitting depth of 21 mm





Invisible Tyo

Technical Specifications

Material	Zamac
Door thickness	Min. 38 mm
Min door thickness with max. cladding	40 mm
Door weight (2 pieces) (1)	Till 60 kg
Installation depth	21 mm (frame) / 29 mm (door)
Dimensions (L x B)	110 x 30 mm
Regulation	3D
Height regulation (2)	-2,0 / +2,0 mm
Width regulation (2)	-3,0 / +3,0 mm
Pression (2) (depth regulation)	-1,5 / +1,5 mm
Min. Cladding	4 mm
Max. Cladding	16 mm

(1) based on a reference door of 1000 x 2000 mm

(2) neutral position factory setting: standard for one of door clearance 2 mm

Finishes



1. Grey



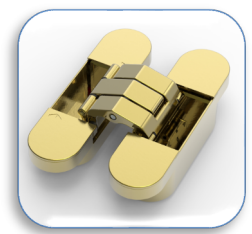
2. Matt Chrome



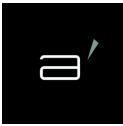
3. White



4. Black

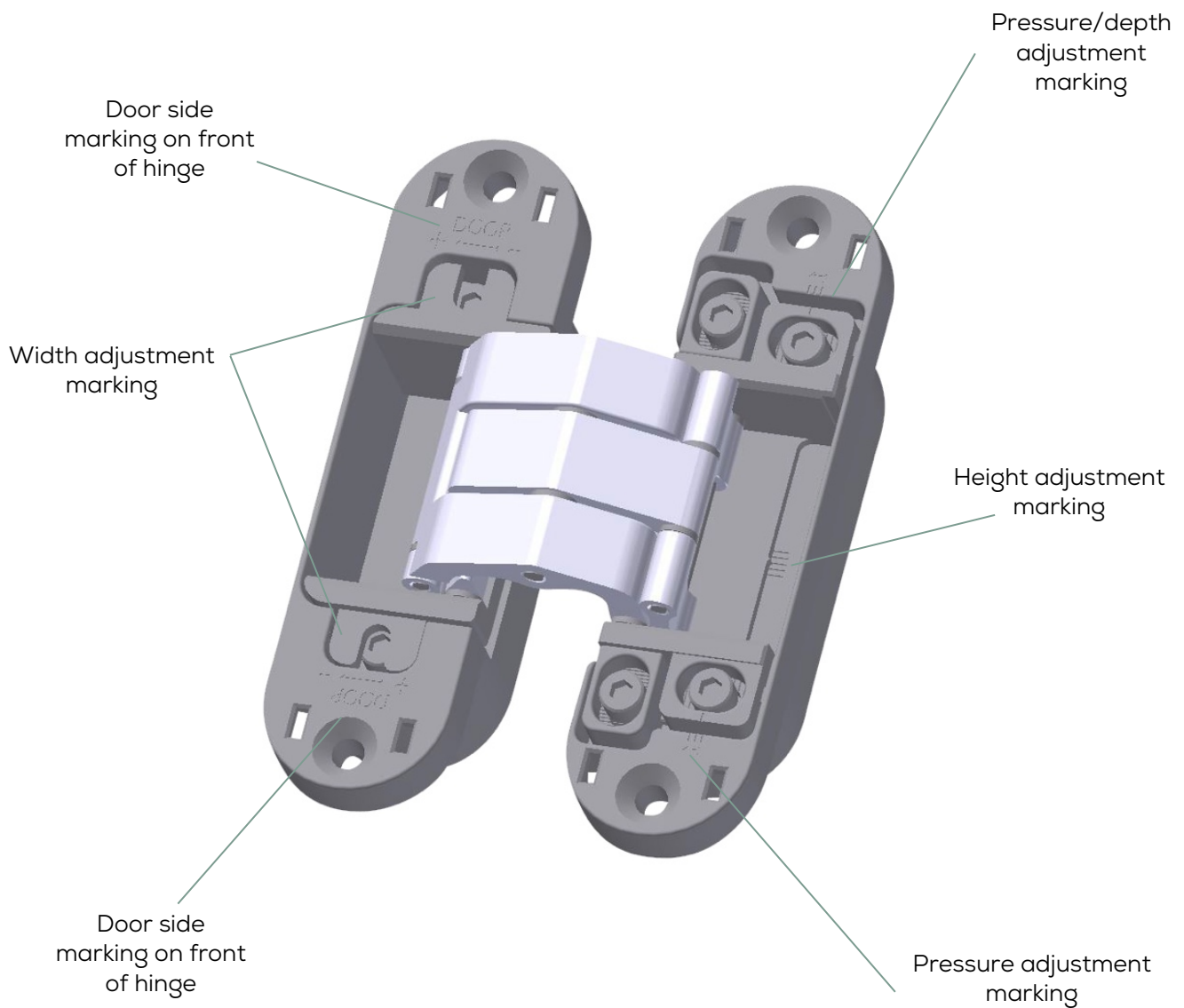


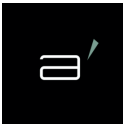
5. Messing Gold



Invisible Tyo

Overview

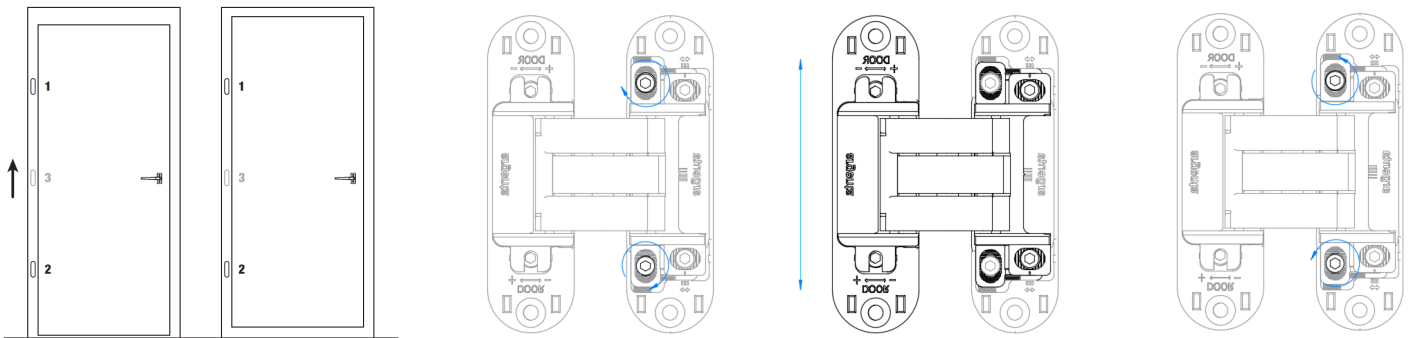




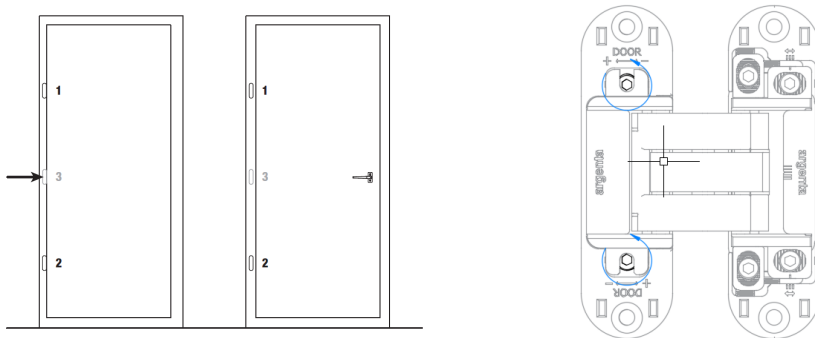
Invisible Tyo

3D Adjustment

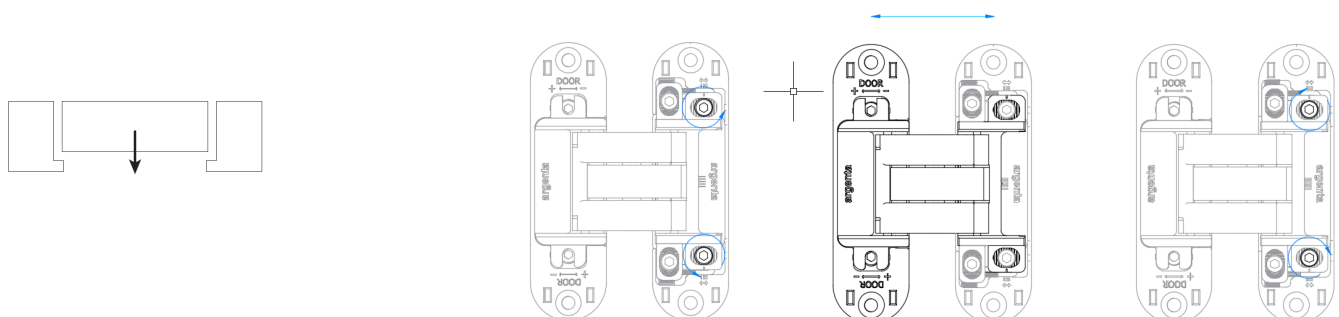
Height

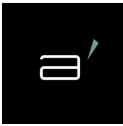


Width



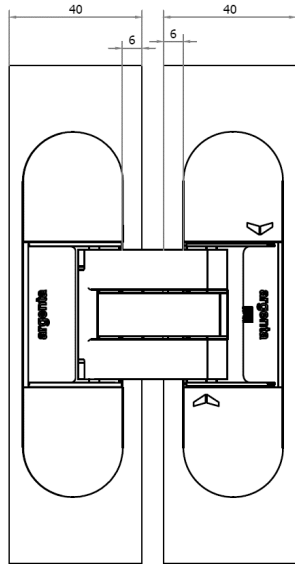
Depth





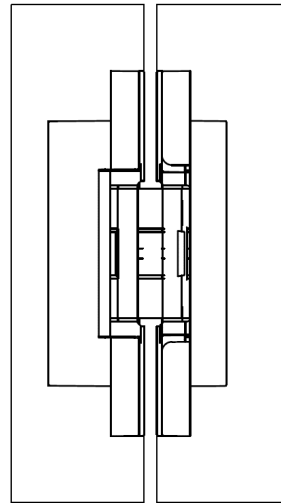
Invisible Tyo

Cladding



Deur - Porte
Door - Tür

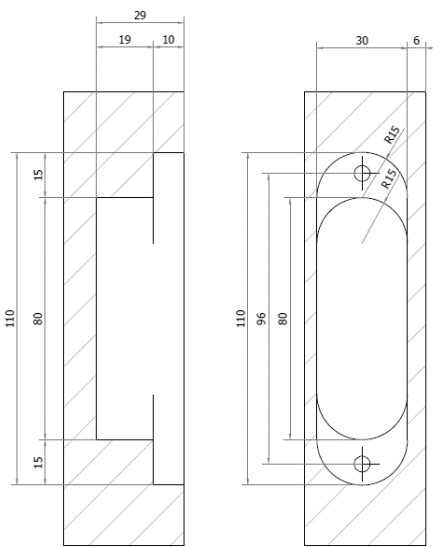
Kader - Cadre
Frame - Rahmen



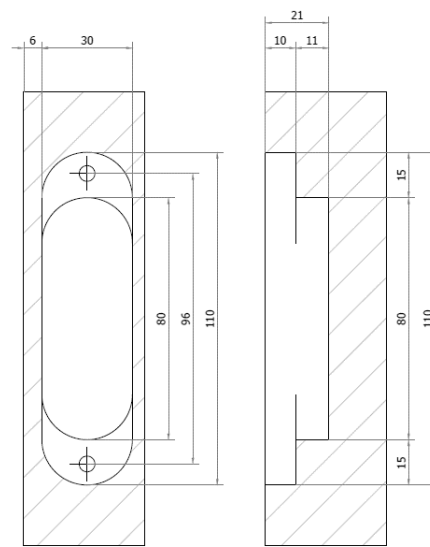
Deur - Porte
Door - Tür

Kader - Cadre
Frame - Rahmen

Depth-to-fit dimensions



Deur - Porte - Door - Tür



Kader - Cadre - Frame - Rahmen