

INVISIBLE HINGES

a'bessco
Architectural Hardware

argenta
OPENING DOORS





ALL TECHNICAL DRAWINGS ARE SHOWN IN MILLIMETRES AND ARE SUBJECT TO CHANGE BY ARLU.

ARLU, THE REFERENCE FOR OPENING DOORS

ARLU® is the manufacturer behind the brand names argenta® and rob®. Argenta has been a leading brand in door hardware for over 100 years, but today it is mainly synonymous with invisible door systems.

Minimalist architecture swears by clean lines and a “back to the essence” mentality. In terms of interior doors, this results in integrated door fittings, invisible integrated techniques, door frames and skirting boards for revolving, sliding and pivoting doors.

Argenta stands for a full range of sleek interior solutions.

01 INVISIBLE HINGES

- 4 invisible neo
- 12 invisible exo XC-10
- 18 invisible tyo
- 22 invisible pro XS4
- 26 invisible

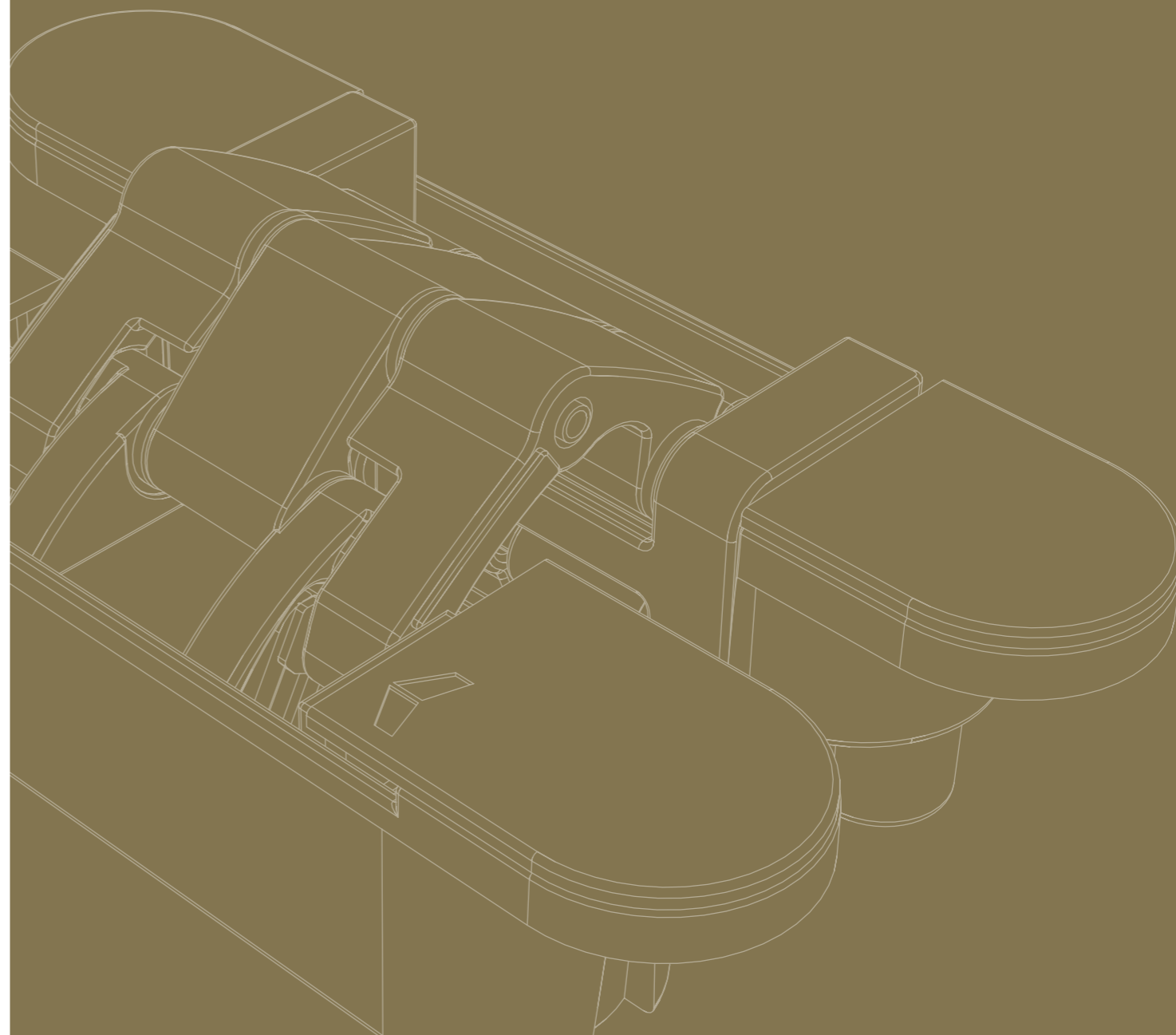
02 PIVOTING HINGES

- 36 pivotica® pro
- 44 pivotica®
- 48 magnetica® pro E

01

INVISIBLE HINGES

To strive for an aesthetic design for both rotating and pivoting doors the hinges should be concealed so that the door lines up with the wall. This flush effect can be achieved thanks to the patented argenta® invisible hinges. The hinges are completely concealed when the door is closed, while the door in open position on the crosscut side, will only reveal an elegant and pure design hinge. The simplified installation and adjustment will result in a quick and easy assembly.





argenta
INVISIBLE NEO

Invisible neo is the invisible hinge design par excellence. Even when the rotating interior door is open, not a single screw is visible. The hinges, available in the formats S-5, M-6 and L-7, can be mounted and adjusted quickly in three dimensions. This can be done by just one person, and the door does not need to be removed. Thanks to the simplified height adjustment, not even a wedge is needed any more. They can be used for interior doors that open up to 180° and are suitable for both left-opening and right-opening doors.



argenta invisible neo

What are the benefits ?

Ease of use

- Universal: for left and right-opening doors
- "Easy-hook": installation and 3D adjustment by one person
- 3D adjustable (height, width, and depth) without taking the door off
- Extra simplified height adjustment: no wedge required
- 180° opening angle



Aesthetics

- Pure and qualitative design
- No visible screws
- 3 sizes: S-5, M-6, L-7
- Available in different finishes



Durability and safety

- Open and shutting movement cycle tests (min. 200,000)
- Fingers are protected because of the minimal space between the door and the frame
- Available in fireproof version of 30 or 60 minutes
- Fully mounted on plastic washers



		Standard
matt chrome	S5	70000061
	M6	70000062
	L7	70000003
glossy chrome	S5	70000066
	M6	70000067
	L7	70000068
tar black	S5	70000106
	M6	70000107
	L7	70000108
white	S5	70000072
	M6	70000073
	L7	70000074
copper	S5	70000156
	M6	70000174
	L7	70000175
bronze	S5	70000139
	M6	70000141
	L7	70000143
dark bronze	S5	70000140
	M6	70000142
	L7	70000144
stainless steel look	S5	70000069
	M6	70000070
	L7	70000071
black umber	S5	70000109
	M6	70000110
	L7	70000111
classic bronze	S5	70000095
	M6	70000096
	L7	70000097
polished brass (CU)	S5	70000093
	M6	70000092
	L7	70000065

Technical features

	invisible neo S-5	invisible neo M-6	invisible neo L-7
Material	Zamak	Zamak	Zamak
Door thickness	min. 33 mm	min. 36 mm	min. 40 mm
Door thickness with max. front panel	35 mm	40 mm	46 mm
Overall depth	26,5 mm (frame) / 30 mm (door)	30 mm (frame) / 32 mm (door)	33mm (frame) / 36mm (door)
Dimensions (L x W)	120 x 25 mm	140 x 28 mm	170 x 32 mm
Installation and adjustment	Easy-Hook	Easy-Hook	Easy-Hook
Height adjustment ¹	-2,5 / +2,5 mm	-3,0 / +3,0 mm	-3,0 / +3,0 mm
Width adjustment ¹	-3,0 / +4,0 mm	-3,0 / +4,0 mm	-3,0 / +4,0 mm
Pressure ¹ (depth adjustment)	-1,0 / +1,0 mm	-1,5 / +1,5 mm	-1,5 / +1,5 mm
Max. front panel (cladding) size	5 mm	6 mm	7 mm
Fire resistant ²	E30, EI ₂ 30, EI ₁ 30, EW30	E60, EI ₂ 60, EI ₁ 60, EW60*	E60, EI ₂ 60, EI ₁ 60, EW60
CE marking	2 7 3 1 1 4 0 10	3 7 4 1 1 4 0 11a	4 7 5 1 1 4 1 12a
Screw dia.	SPAX - Z2 dia: max. 4,5	SPAX - Z2 dia: max. 5	SPAX - Z2 dia: max. 5

¹ = neutral position factory setting: standard of a 2 mm door margin.

² = fire resistant according to standard EN1634-1: 2008 and classified according to EN13501-2:2007 for use of wooden door with wooden doorframe, and for wooden door with stainless steel frame.

* = Only valid for the Belgian market, for other markets applies E30, EI230, EI130, EW30.

Weight table

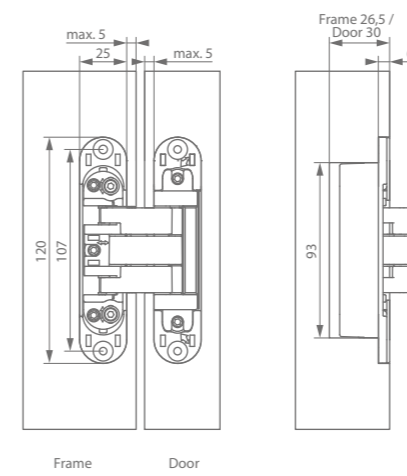
Type hinge	invisible neo S-5		invisible neo M-6		invisible neo L-7		
	2	3	2	3	2	3	
Number of hinges	730 mm	75 kg	95 kg	95 kg	115 kg	110 kg	160 kg
	830 mm	70 kg	90 kg	90 kg	110 kg	105 kg	155 kg
	930 mm	65 kg	85 kg	85 kg	105 kg	100 kg	150 kg
	1030 mm	60 kg	80 kg	80 kg	100 kg	95 kg	145 kg
Max. door weight according to door width							



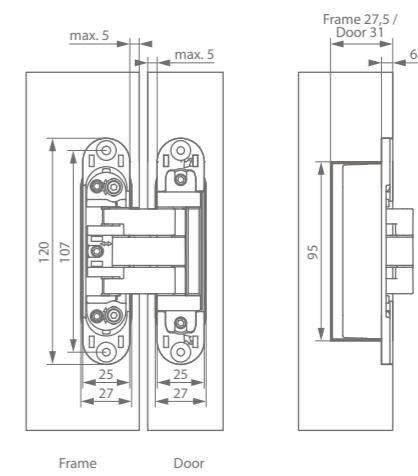
argenta invisible neo

Technical drawings

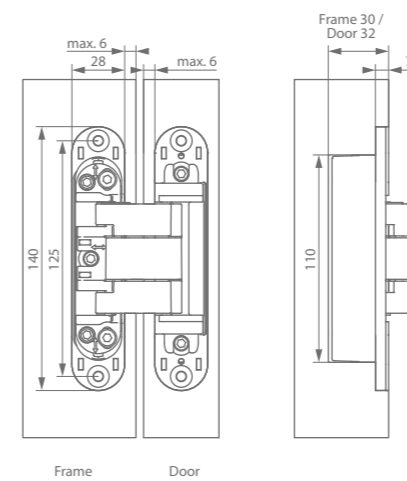
invisible neo S-5



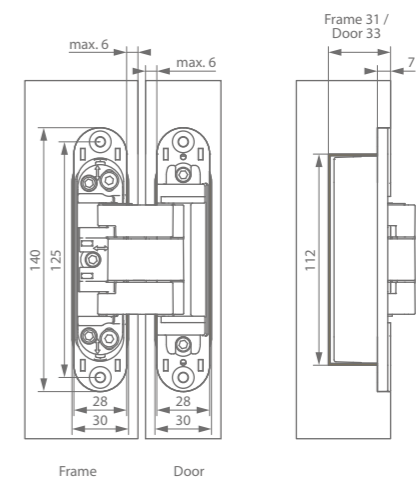
invisible neo S-5 fire resistant



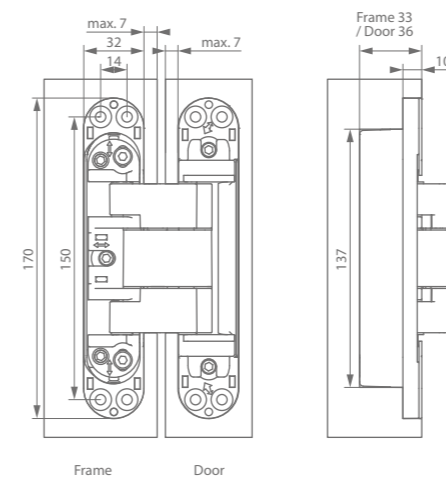
invisible neo M-6



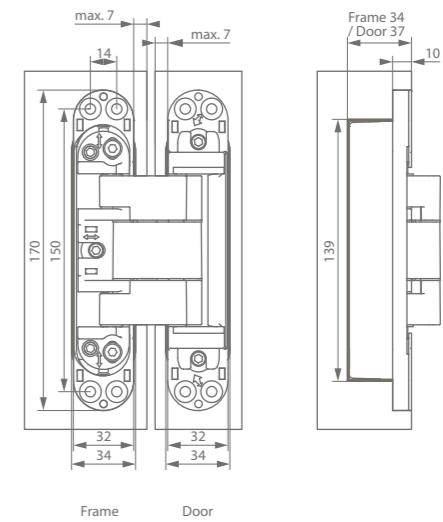
invisible neo M-6 fire resistant



invisible neo L-7



invisible neo L-7 fire resistant





argenta invisible neo

Accessories

Universal milling template

70000047

ARLU® developed the universal argenta® milling template to quickly and easily make the correct cut-outs, for all argenta invisible fittings as well as the argenta butt hinges, using a router.

A basic set contains:

- 3 x black plastic base plates
- 2 x black plastic stop blocks

Order this as a supplement:

3 x brushed aluminium plates**

NEO S5: 70000215 | NEO M6: 70000214 | NEO L7: 70000213



Fixation plate

NEO S5: 70000085 | NEO M6: 70000086 | NEO L7: 70000087

If a wooden door frame is not thick enough to screw in a concealed hinge securely, securing plates with spacer rings provide a solution. The plate is placed on the back of the wooden door frame and the hinge on the front of the door frame. The spacer rings fill the remaining distance between the securing plate and the hinge. This is necessary to avoid damaging the door frame when the hinge is screwed on. Use a suitable combination of colours to get the required spacing.

SPACER RINGS

1 MM
SMALL: 70000048
MEDIUM & LARGE: 70000052

1,5 MM
SMALL: 70000049
MEDIUM & LARGE: 70000053

2 MM
SMALL: 70000050
MEDIUM & LARGE: 70000054

3 MM
SMALL: 70000051
MEDIUM & LARGE: 70000055



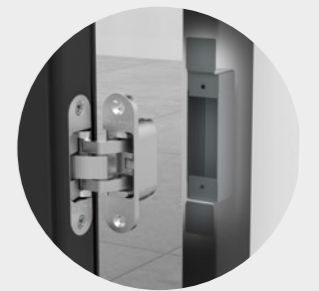
Intumescent kit

For non-residential buildings such as offices as well as residential buildings, building regulations lay down specific requirements regarding fire safety. To comply with these regulations, an argenta invisible hinge must be combined with an intumescent kit. ARLU supplies intumescent kits for 30 minutes that are tested and approved according to European standards.



Connecting fitting

An argenta invisible hinge can also be used in combination with a steel or stainless steel door frame. For this application, ARLU includes a suitably sized, stainless steel connecting fitting to secure the invisible hinge.



* Suitable for doors with 3 hinges: if 4 hinges are to be fitted, an additional 2 x brushed aluminium insert plates + 2 x black plastic base plates must be ordered ** There is a specific brushed aluminium template (insert plate) per type of hinge. We don't deliver aluminium templates (filler plates) with the basic set of the universal milling template.



argenta
INVISIBLE EXO

The argenta® invisible exo XC-10 has been developed in response to the demand for argenta hinges being able to turn around skirting boards, architraves or additional wall cladding. The invisible exo XC-10 mainly excels in its flexibility: thanks to its variable cladding (from 4 to 10 mm), it is suitable for all architrave door frames with casings up to 12 mm. This opens up even more prospects, as it allows you to finish a door leaf with the same tiles or glass as the walls surrounding the door. Even with the extra thickness of those tiles or the glass on both the wall and the door (maximum 2 x 6 mm), you will be able to swing the door open over 180 degrees.

argenta invisible exo XC-10

What are the benefits ?

Technical

- With a minimum cladding of 4 mm, a skirting board of 12 mm can be bridged when opening the door
- With a minimum cladding of 4 mm, wall coverings of up to 6 mm each can be applied to both the door leaf and the wall
- Without the cladding, wall coverings of up to 10 mm can be applied to both the door leaf and the wall

Ease of use

- Variable cladding of min. 4 mm to max. 10 mm
- Universal: for left and right-opening doors
- 'Easy-hook': installation and 3D adjustment by one person
- 3D adjustable (height, width, depth) without taking the door off
- Extra-simplified height adjustment: no wedge required
- 180° opening angle

Durability and safety

- Open and shutting movement cycle tests (min. 200,000)
- Fingers are protected because of the minimal space between the door and the frame
- Fully mounted on plastic washers

Aesthetics

- Pure and qualitative design
- No visible screws
- Caps available in different colours



matt chrome
70000223



black
70000203



white
70000201

Weight table

Type hinge	invisible exo XC-10		
	2	3	
Number of hinges			
Max. door weight according to door width	730 mm	65 kg	75 kg
	830 mm	60 kg	70 kg
	930 mm	55 kg	65 kg
	1030 mm	50 kg	60 kg

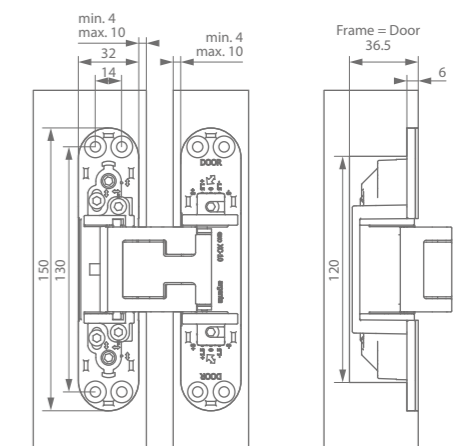
Technical features

invisible exo XC-10	
Material	Zamak
Door thickness	40 mm
Door thickness with max. front panel	46 mm
Overall depth	36,5 mm (frame = door)
Dimensions (L x W)	150 x 32 mm
Installation and adjustment	Easy-Hook
Height adjustment ¹	-3,0 / +3,0 mm
Width adjustment ¹	-3,0 / +3,0 mm
Pressure ¹ (depth adjustment)	-1,0 / +1,0 mm
Min. cladding dimensions	4 mm
Max. front panel (cladding) size	10 mm
Screw dia.	SPAX - Z2 dia: max. 5

¹ = neutral position factory setting: standard of a 2 mm door margin.

Technical drawing

invisible exo XC-10



Extras

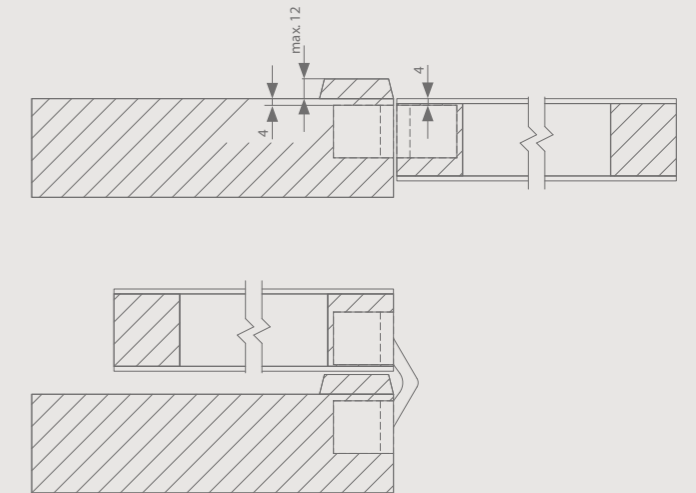
	Reference
Universal milling template	70000047
Aluminium insert	70000216



argenta invisible exo XC-10 — Construction situation

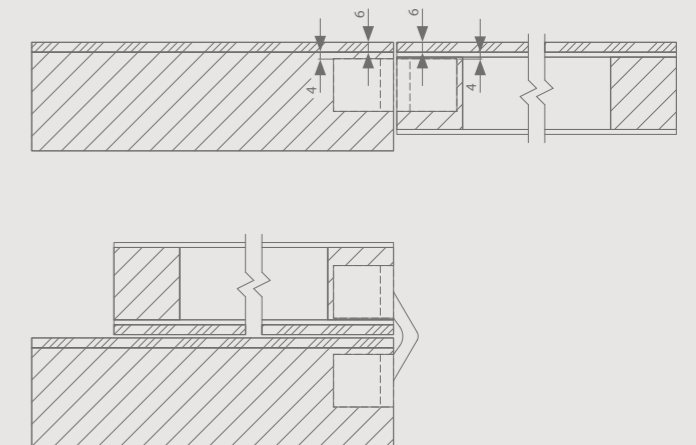
Construction situation 1 WORKING WITH AN ARCHITRAVE DOOR FRAME

In the invisible exo XC-10 application as illustrated, minimal cladding of 4 mm each was used on both the door frame and the door panel. This allows for an architrave door frame with a maximum thickness of 12 mm.



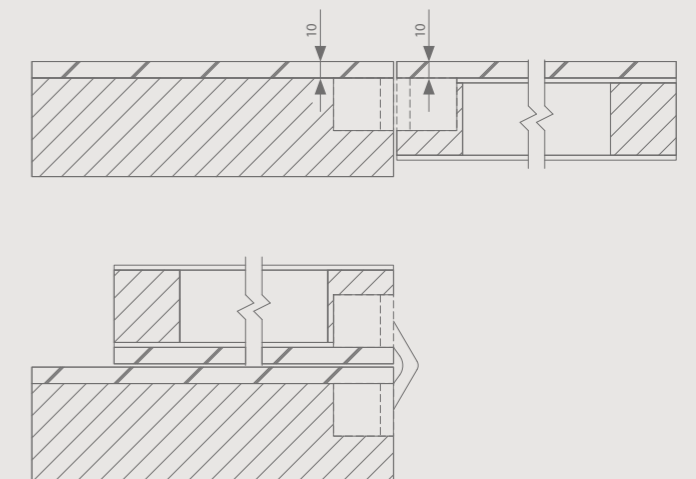
Construction situation 2 WORKING WITH DOOR AND WALL COVERINGS

In the invisible exo XC-10 application as illustrated, minimal cladding of 4 mm each was used on both the wall and the door leaf. This allowed the freedom to add an extra covering of maximum 6 mm to both the door leaf and the wall. This covering can range from ceramic plates to mirrored glass, textiles, veneer, and so on.



Construction situation 3 WORKING WITH AN ARCHITRAVE DOOR FRAME

In the invisible exo XC-10 application as illustrated, no cladding was used on either the door leaf or the door frame. The hinge sits flush with the wooden door and the wall, but a panel with a 10 mm thickness was added to both afterwards.





argenta
INVISIBLE TYO

The argenta® invisible tyo is a recent addition to ARLU®'s family of invisible hinges. With a focus on a minimal installation depth of 21 mm in the door frame, the invisible tyo fits in perfectly with our other invisible hinges for special applications. Its minimal installation depth allows for narrower door frames with visually discreet results. As with all other ARLU invisible hinges, 3D adjustment of the door leaf, an opening angle of 180° and universal application for both doors that open to either the left or right are all possible. The plastic caps supplied ensure the invisible tyo neatly continues the trend set by the acclaimed design of the invisible neo.



argenta invisible tyo

What are the benefits ?

Ease of use

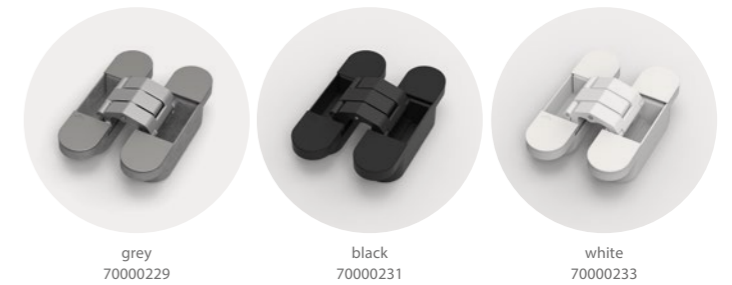
- Minimum door frame installation depth of 21 mm
- Universal: for left and right-opening doors
- 3D adjustable (height, width, depth) without taking the door off
- 180° opening angle

Durability and safety

- Open and shutting movement cycle tests (min. 200,000)
- Fingers are protected because of the minimal space between the door and the frame
- Fully mounted on plastic washers

Aesthetics

- Pure and qualitative design
- No visible screws
- Plastic caps



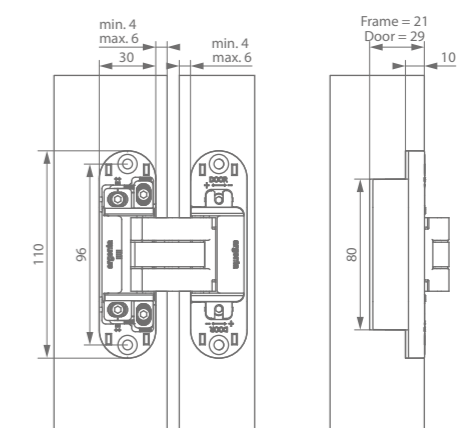
Technical features

	invisible tyo
Material	Zamak
Door thickness	38 mm
Door thickness with max. front panel	40 mm
Overall depth	21 mm (frame) / 29 mm (door)
Dimensions (L x W)	110 x 30 mm
Height adjustment ¹	-2,0 / +2,0 mm
Width adjustment ¹	-3,0 / +3,0 mm
Pressure ¹ (depth adjustment)	-1,5 / +1,5 mm
Min. cladding dimensions	4 mm
Max. front panel (cladding) size	6 mm
Screw dia.	SPAX - Z2 dia: max. 5

Weight table

Type hinge	invisible tyo	
Number of hinges	2	3*
	730 mm	75 kg 95 kg
Max. door weight according to door width	830 mm	70 kg 90 kg
	930 mm	65 kg 85 kg
	1030 mm	60 kg 80 kg

Technical drawing



¹ = neutral position factory setting: standard of a 2 mm door margin.

*The above-mentioned ratios were tested in which, from 3 hinges or more, 2 hinges were placed together at the top of the door leaf at a centre distance of 200 mm.



argenta
INVISIBLE PRO XS-4

Bulk buyers can also profit from the invisible pro XS-4 hinges: just as invisible, compact and easily adjusted as the invisible neo version, but only available in bulk. There is also not a screw in sight on rotating doors with an opening angle of 180°. The remarkable installation depth of only 23 mm contributes to its design. For universal use in both left-opening and right-opening doors, these hinges can also easily be placed and adjusted by one person.

argenta invisible pro XS-4

What are the benefits ?

Ease of use

- Universal: for left and right-opening doors
- 180° opening angle
- "Easy-hook": installation and adjustment by one person
- Simplified adjustability (height and width)
- Compact dimensions: only 23 mm built-in depth

Durability and safety

- Open and shutting movement cycle tests (min. 200,000)
- Fingers are protected because of the minimal space between the door and the frame
- Fully mounted on plastic washers

Aesthetics

- No visible screws
- Synthetic covers are available in 3 different colors



grey
70005003



black
70005002



white
70005001



full black
70005015

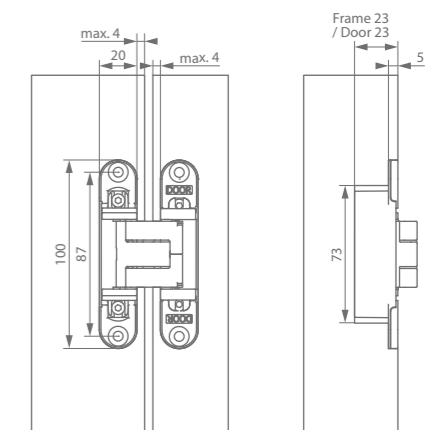


Technical features

invisible pro XS-4	
Material	Zamak + ASA
Finishes	Matt Chrome + Black, White or Gray
Door thickness	min. 28 mm
Door thickness with max. front panel	28 mm
Overall depth	23 mm (frame) / 23 mm (door)
Dimensions (L x W)	100 x 20 mm
Height adjustment ¹	-2,5 / +2,5 mm
Width adjustment ¹	-2,0 / +2,0 mm
Max. front panel (cladding) size	4 mm
Screw dia.	SPAX - Z2 dia: max. 4,5

Technical drawings

invisible pro XS-4



Weight table

Type hinge	invisible pro XS-4	
	2	3
Number of hinges		
	730 mm	50 kg
	830 mm	45 kg
Max. door weight according to door width	930 mm	40 kg
	1030 mm	35 kg

¹ = neutral position factory setting: standard of a 2 mm door margin.



argenta
INVISIBLE

The standard amongst invisible rotating door hinges, this hinge is symmetrical and can be used for both left-opening and right-opening rotating doors. When the door is closed, no hinge is visible. The simple installation and 3D adjustment for height, width and depth ensure quick assembly of rotating doors that can open up to 180°. The compact dimensions and visible screws both contribute to the 'technical' appearance of this versatile hinge.

argenta invisible



What are the benefits ?

Ease of use

- Universal: for left and right-opening doors
- 3D adjustable (height, width and depth)
- Compact dimensions
- 180° opening angle



matt chrome
Small: 70000001
Medium: 70000002

Durability and safety

- Open and shutting movement cycle tests (min. 200,000)
- Fingers are protected because of the minimal space between the door and the frame
- Fully mounted on plastic washers



matt black 9005
Small: 70000226
Medium: 70000228

Aesthetics

- Technical and innovative look
- 2 sizes: small and medium
- Available in different colours



matt white 9016
Small: 70000225
Medium: 70000227

Weight table

Type hinge	Number of hinges	invisible small		invisible medium	
		2	3	2	3
Max. door weight according to door width	730 mm	55 kg	65 kg	55 kg	70 kg
	830 mm	50 kg	60 kg	50 kg	65 kg
	930 mm	45 kg	55 kg	45 kg	60 kg
	1030 mm	40 kg	50 kg	40 kg	55 kg

Technical features

	invisible small	invisible medium
Material	Zamak	Zamak
Door thickness	min. 31 mm	min. 37 mm
Door thickness with max. front panel	31 mm	39 mm
Overall depth	34 mm (frame) / 32 mm (door)	35,5 mm (frame) / 36,5 mm (door)
Dimensions (L x W)	95 x 23 mm	111 x 29 mm
Height adjustment ¹	-1,5 / +1,5 mm	-1,5 / +1,5 mm
Width adjustment ¹	-2,5 / +2,5 mm	-2,5 / +2,5 mm
Pressure ¹ (depth adjustment)	-1,5 / +1,5 mm	-1,5 / +1,5 mm
Max. front panel (cladding) size	4 mm	5 mm
Fire resistant ²	-	E30, EI ₂ 30, EI ₁ 30, EW30
CE marking	-	2 7 2 1 1 3 0 7
Screw dia.	SPAX - Z2 dia: max. 4,5	SPAX - Z2 dia: max. 5

¹ = neutral position factory setting: standard of a 2 mm door margin.

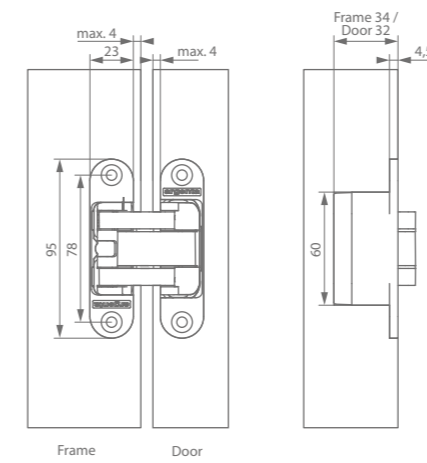
² = fire resistant according to standard EN1634-1: 2008 and classified according to EN13501-2:2007 for use of wooden door with wooden doorframe, and for wooden door with stainless steel frame.



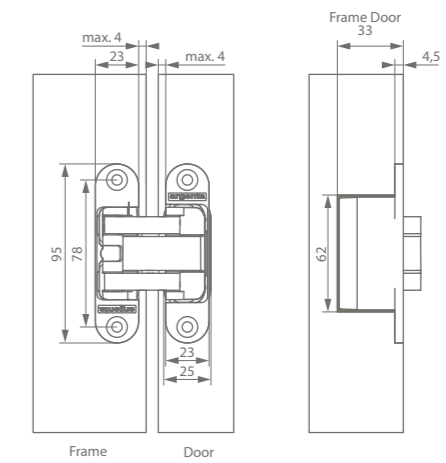
argenta invisible

Technical drawings

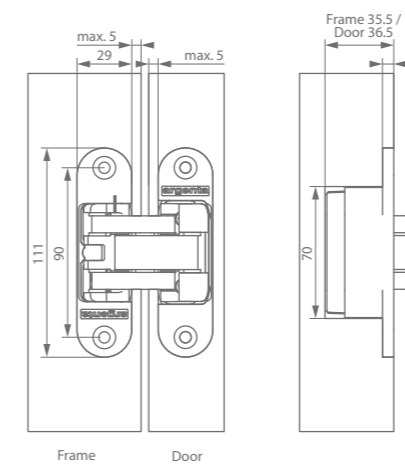
invisible small



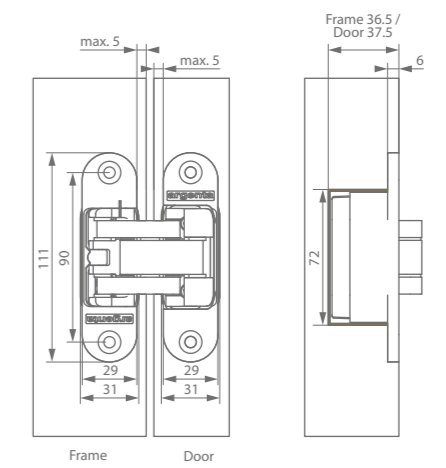
invisible small fire resistant



invisible medium



invisible medium fire resistant





Universal milling template

70000047

ARLU® developed the universal argenta® milling template to quickly and easily make the correct cut-outs, for all argenta invisible fittings as well as the argenta butt hinges, using a router.

A basic set* consists of:

- 3 x black plastic base plates
- 2 x black plastic stop blocks

Order this as a supplement:

3 x brushed aluminium plates**

SMALL: 70000219 | MEDIUM: 70000220



Fixation plate and spacer rings

SMALL: 70000030 | MEDIUM: 70000031

If a wooden door frame is not thick enough to screw in a concealed hinge securely, securing plates with spacer rings provide a solution. The plate is placed on the back of the wooden door frame and the hinge on the front of the door frame. The spacer rings fill the remaining distance between the securing plate and the hinge. This is necessary to avoid damaging the door frame when the hinge is screwed on. Use a suitable combination of colours to get the required spacing.

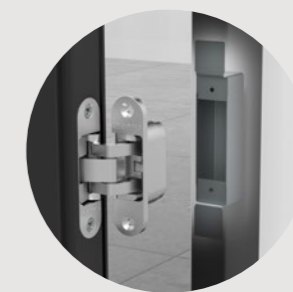
- 1 MM = 70000048
- 1,5 MM = 70000049
- 2 MM = 70000050
- 3 MM = 70000051



Intumescent kit

70000020

For non-residential buildings such as offices as well as residential buildings, building regulations lay down specific requirements regarding fire safety. To comply with these regulations, an argenta invisible hinge must be combined with an intumescent kit. ARLU supplies intumescent kits for 30 minutes that are tested and approved (see page 35) according to European standards.



Connecting fitting

70000033

An argenta invisible hinge can also be used in combination with a steel or stainless steel door frame. For this application, ARLU includes a suitably sized, stainless steel connecting fitting to secure the invisible hinge.

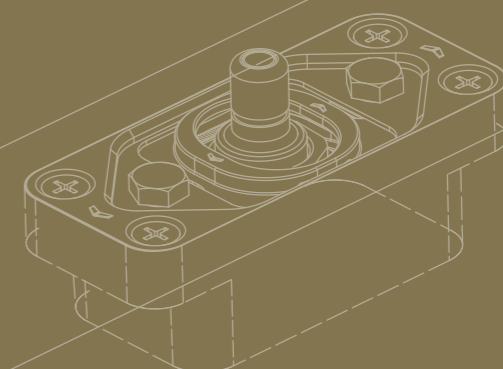
* Suitable for doors with 3 hinges: if 4 hinges are to be fitted, an additional 2 x brushed aluminium insert plates + 2 x black plastic base plates must be ordered ** There is a specific brushed aluminium template (insert plate) per type of hinge. We don't deliver aluminium templates (filler plates) with the basic set of the universal milling template.



02

PIVOTING HINGES

The choice of pivoting interior doors is mainly a matter of taste. Fitting flush to the wall, the appearance is appealing even when the pivoting door is open. Thanks to their compact size, pivoting hinges can even be used for floor-to-ceiling doors. The fact that the pivot point can be chosen at will, making room for creativity, especially with the fact that no door frame is needed and the door can therefore be placed perfectly flush with the wall. With the hinge system integrated into the doorleaf, this always represents a perfect solution both for new buildings as well as refurbishments, also in combination with underfloor heating.





argenta
PIVOTICA PRO

The argenta® pivotica® pro allows interior doors to be opened through 150° in both directions. Thanks to an active closure damper, the door always returns to its zero position. This keeps the door perfectly flush with the wall, ensuring there are no interruptions to the sleek design of the wall. An optional 90° holding position can also be fitted, allowing the door to remain open in both directions without the need for a doorstop.



argenta pivotica pro

When floor-mounted, the pivotica® pro E is perfectly suited for installation in a fully finished door opening. It can also be built in* to the floor for minimal door clearance at the bottom. The exact position of the pivotica can be chosen at will, meaning the hinge can be fitted either centrally, off-centre, or at the corner of the door.

Lastly, the argenta® pivotica pro E is fully compliant with the EN1154 standard for door closure mechanisms. The argenta pivotica pro E is also available in a 30-minute fire-resistant version with a special interdens kit. For door heights of 2500 mm upwards, we recommend using an argenta magnotica® pro E (magnetic catch, p.48).

What are the benefits ?

Ease of use

- Easy surface-mounted or built-in installation
- Opening angle in both directions up to 150°
- With or without holding position at 90° in both directions
- Safe for underfloor heating applications (when floor-mounted)
- Free choice of pivot position (hinge point)
- Adjustable alignment (straight alignment)
- Adjustable bottom plate

Durability and safety

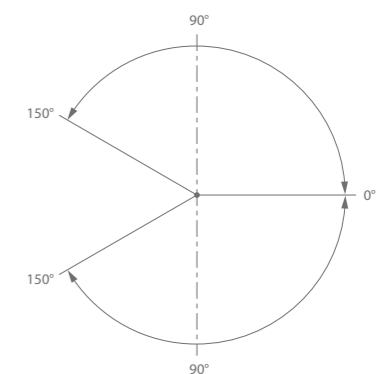
- Child-friendly (easy to open)
- The variant F0 complies with EN1154 standard for door closing mechanisms

Aesthetics

- Invisible
- Available for floor-to-ceiling-height doors
- Invisible door closer
- Black caps (incl. black screws) available as an option

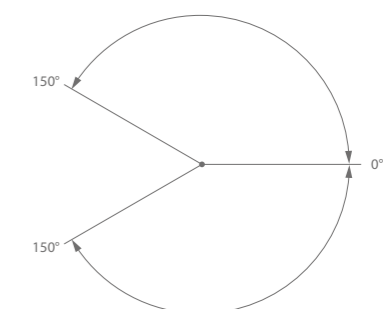
Holding positions

F90 = -90° / 0° / +90°



F0 = 0°

(always returns to closed positions)





argenta pivotica pro

Technical features

FM (= FLOOR MOUNTED)	pivotica® pro 100 FM	pivotica® pro 150 FM
Door weight	Max. 100 kg	Max. 150 kg
Door thickness	Min. 40 mm - Max. 100 mm	Min. 50 mm - Max. 100 mm
Door width*	2000 mm	< 100 kg = 2500 mm > 100 kg = 2000 mm
Door height	3000 mm	3000 mm
Width adjustment	- 3 / + 3 mm	- 3 / + 3 mm
Depth adjustment	- 3 / + 3 mm	- 3 / + 3 mm
Height adjustment	/	/
Alignment	- 4 / + 4 °	- 4 / + 4 °
Holding position	0° (= F0) or -90° / 0° / 90° (= F90)	0° (= F0) or -90° / 0° / 90° (= F90)
Bottom door clearance	13 mm	13 mm

BI (= BUILT IN)	pivotica® pro 100 BI	pivotica® pro 150 BI
Door weight	Max. 100 kg	Max. 150 kg
Door thickness	Min. 40 mm - Max. 100 mm	Min. 50 mm - Max. 100 mm
Door width*	2000 mm	< 100 kg = 2500 mm > 100 kg = 2000 mm
Door height	3000 mm	3000 mm
Width adjustment	- 3 / + 3 mm	- 3 / + 3 mm
Depth adjustment	- 3 / + 3 mm	- 3 / + 3 mm
Height adjustment	+ 6 mm	+ 6 mm
Alignment	- 4 / + 4 °	- 4 / + 4 °
Holding position	0° (= F0) or -90° / 0° / 90° (= F90)	0° (= F0) or -90° / 0° / 90° (= F90)
Bottom door clearance	Min. 5 - Max. 11 mm	Min. 5 - Max. 11 mm

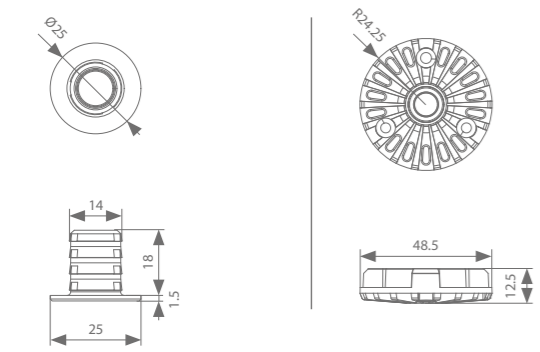
* = with a central position

NAMING SYSTEM	Colour	Door weight	Installation situation	Holding position	Reference
pivotica® pro E	matt chrome	100	FM	F0 F90	91500105 91500104
			BI	F0 F90	91500107 91500106
	black	100	FM	F0 F90	91500101 91500100
			BI	F0 F90	91500103 91500102
	white	100	FM	F0 F90	91500109 91500108
			BI	F0 F90	91500111 91500110
pivotica® pro	matt chrome	150	FM	F90 F0	91500028 91500031
			BI	F90 F0	91500036 91500035
				Vloerstuk	91500037

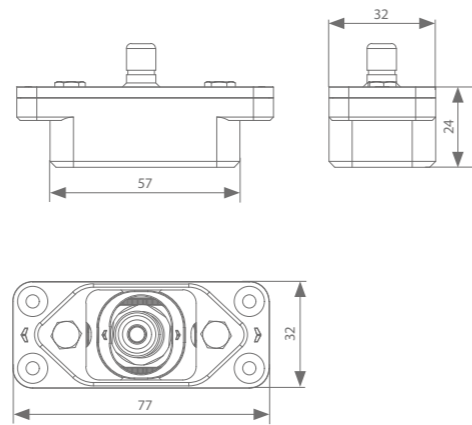
argenta pivotica pro

Technical drawings pivotica pro E 100

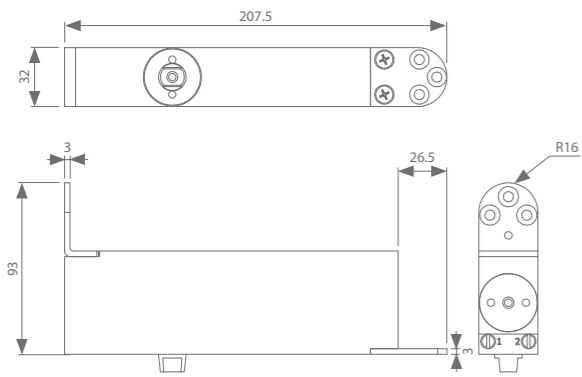
Top parts of door opening



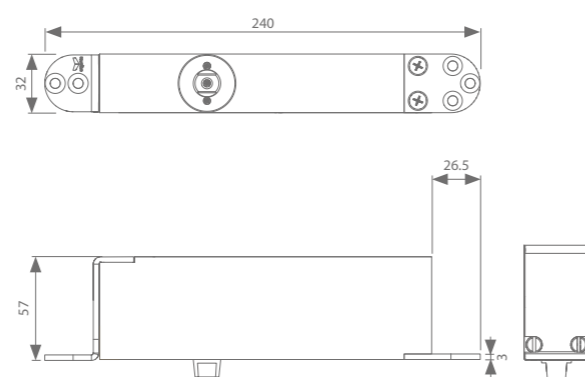
Top part of door



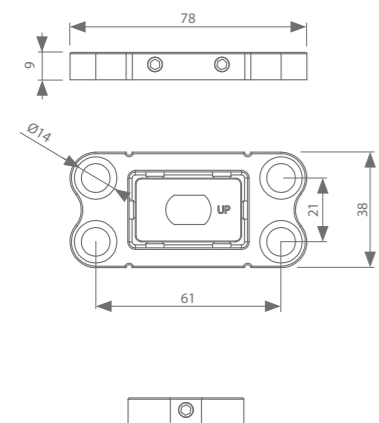
Bottom part door - corner position



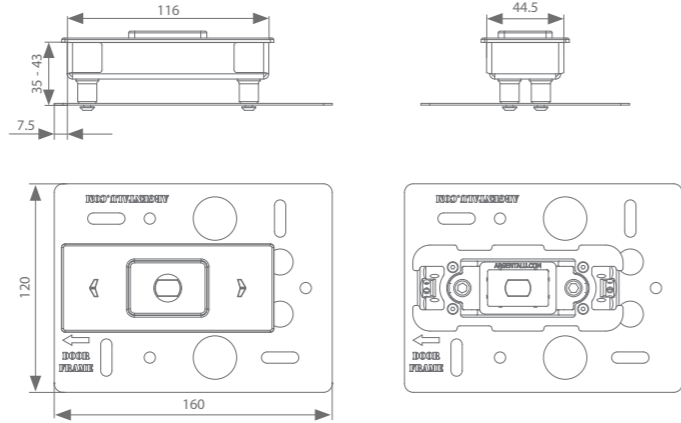
Bottom part door - centre or off-centre position



Bottom part of floor - Floor-mounted (= FM)

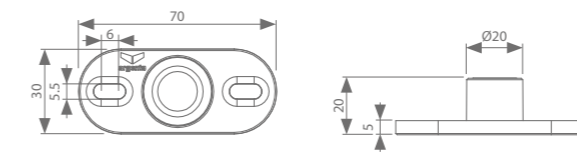


Bottom part of floor - Built-in (= BI)

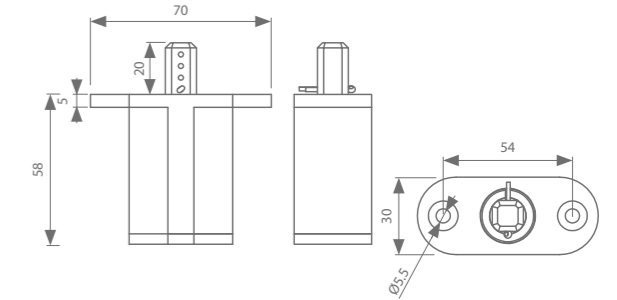


Technical drawings pivotica pro 150

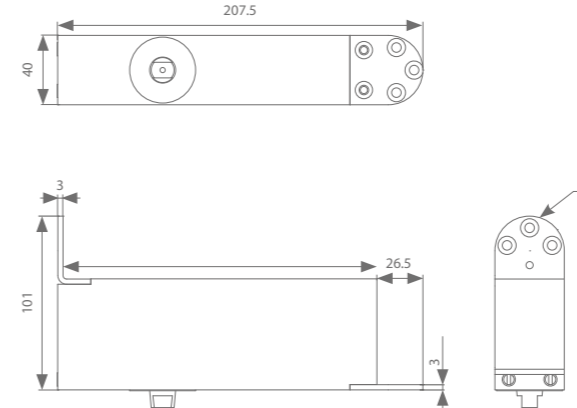
Top part of door opening



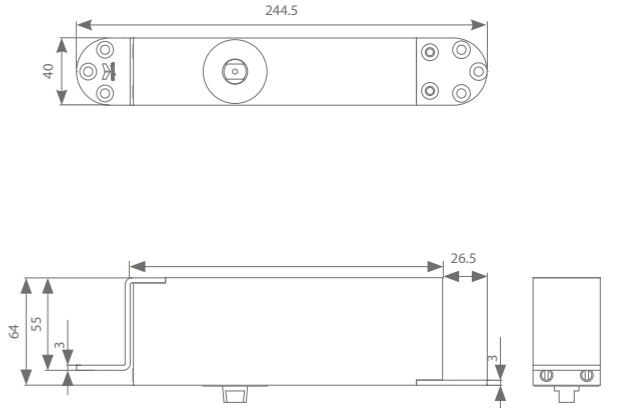
Top part of door



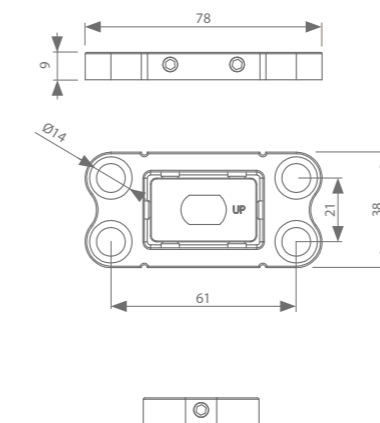
Bottom part of door - corner position



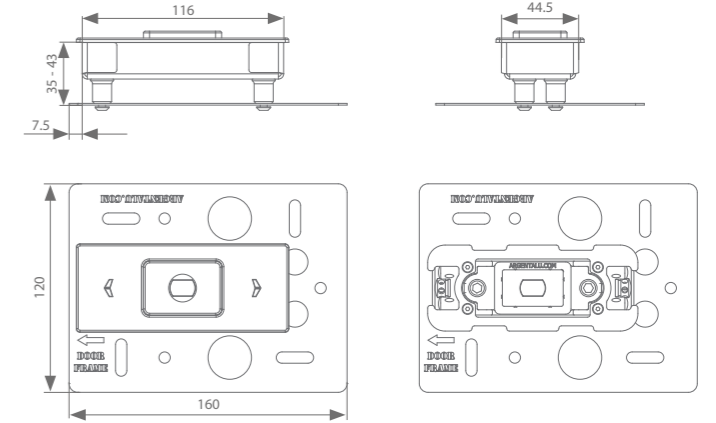
Bottom part of door - centre or off-centre position



Bottom part of floor - Floor-mounted (= FM)



Bottom part of floor - Built-in (= BI)





argenta **PIVOTICA**

The argenta® pivotica® is thanks to its compact size not only easy to mount in the door, the pivot hinge can also be installed in pivoting floor-to-ceiling-height doors. The innovative pivot hinge even allows for the pivot point on the door to be chosen freely (at a minimum of 40 mm from the side of the door); this way, wide doors can for instance rotate from the middle. The argenta pivotica is suitable for both left and right doors. Thanks to the argenta pivotica architects can use spaces and walls creatively, seeing how the pivot hinge does not require a door frame and the door can be aligned perfectly with the wall. All parts of this pivot hinge are rust-resistant. The argenta pivotica is suitable for indoor use of both modern residential buildings as well as public buildings and offices. The argenta pivotica is preferably used in combination with the argenta magnotica® pro, a contactless doormagnet. (p.48)



argenta pivotica

What are the benefits ?

Ease of use

- Easy installation
- Opening angle in both directions up to 150°
- Fixed settings at 90° in both directions
- Free choice of rotating position (hinge point)
- Adjustable outlining (straight outlining)
- Pivot system to be mounted in the doorpanel and not (as usual) in the floor or ceiling

Safety

- Child-friendly (easy to open)

Aesthetics

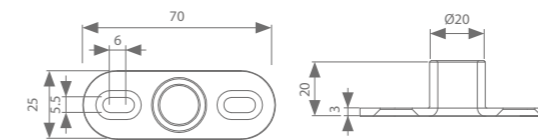
- Invisible
- Available for floor-to-ceiling-height doors
- Invisible door closer

Technical features

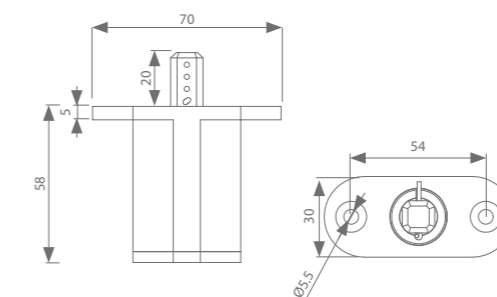
	pivotica®
Material	Aluminum + stainless steel
Finishes	Brushed Stainless Steel
Door thickness	min. 40 mm
Door weight	max. 45 kg
Door width	1500 mm
Door height	3000 mm
Reference	91500020

Technical drawings

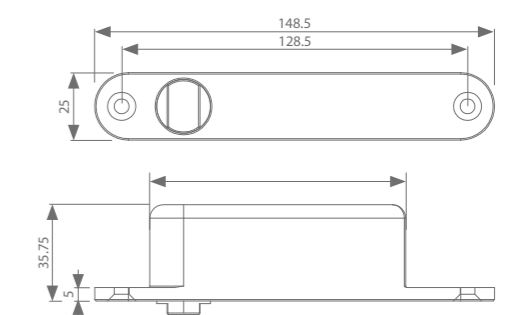
upper part door opening



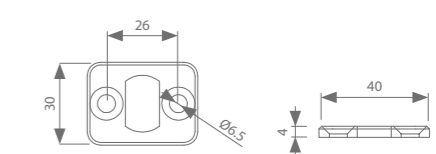
upper part door leaf



lower part door leaf



lower part floor





argenta
MAGNOTICA PRO E & SE

The magnotica® pro E is a magnetic and contactless catch which holds interior doors shut without the need for a door handle or latch. Because there are no moving parts, the door can be opened and closed completely without making any noise.



argenta magnetica pro

The magnetica® pro E is a magnetic and contactless catch that allows interior doors to be held in a fixed position without the need for a handle or lock. Because there are no moving parts, a door can be closed and opened completely silently. The magnetica pro E is ideal in combination with all argenta® pivoting hinges and the argenta invisidoor® door frames. The contactless door closer can be used both vertically (reveal of the door leaf) and horizontally (top of the door leaf) on any type of door frame.

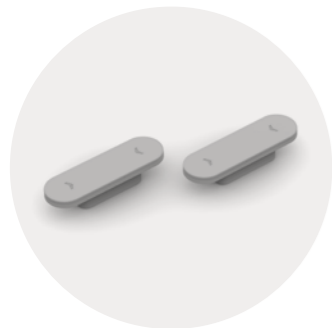
What are the benefits ?

- No moving parts to wear out
- Silent mechanism due to no friction
- Door can be opened and closed noiselessly without a door handle or latch
- Doors are quick and easy to open and close
- Ideal for doors to walk-in closets or storerooms
- Perfect for keeping pivoting doors in their closed position
- Thanks to the extra cover plate in zamac the screws are concealed
- Available in white, black or matte chrome

Technical features

Clearance	Magnetic power
2 mm	Minimum 40 N
3 mm	Minimum 35 N
4 mm	Minimum 30 N

magnetica® pro E



matt chrome
70001094



black
70001093



white
70001092

magnetica® pro SE



matt chrome
70001097



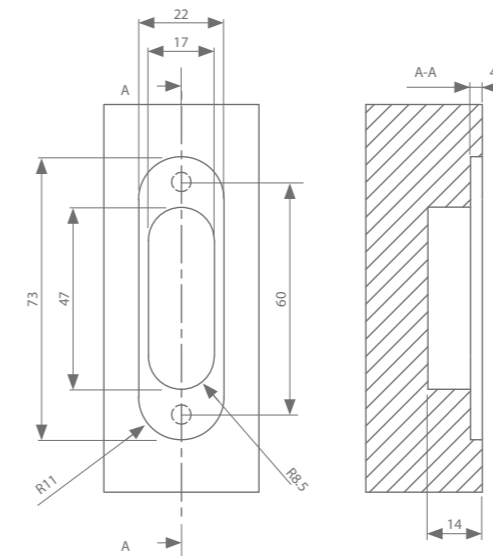
black
70001096



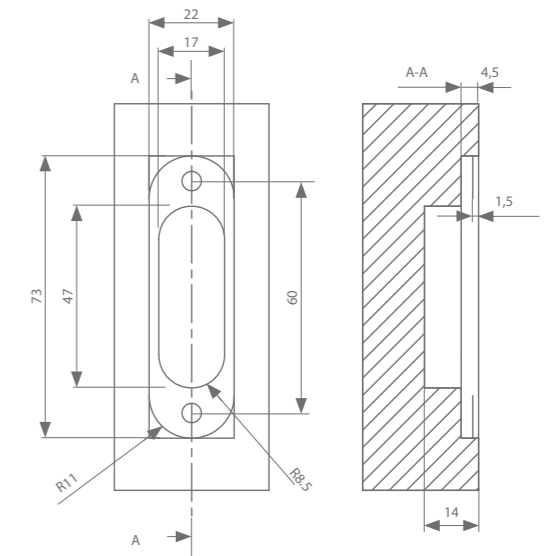
white
70001095

Technical drawing

magnetica® pro E



magnetica® pro SE



a'besco
Architectural Hardware

49 Captain Cook Drive, Caringbah NSW 2229
02 9589 5900 info@abesco.com.au
abesco.com.au



© L3000018 06/24 English