

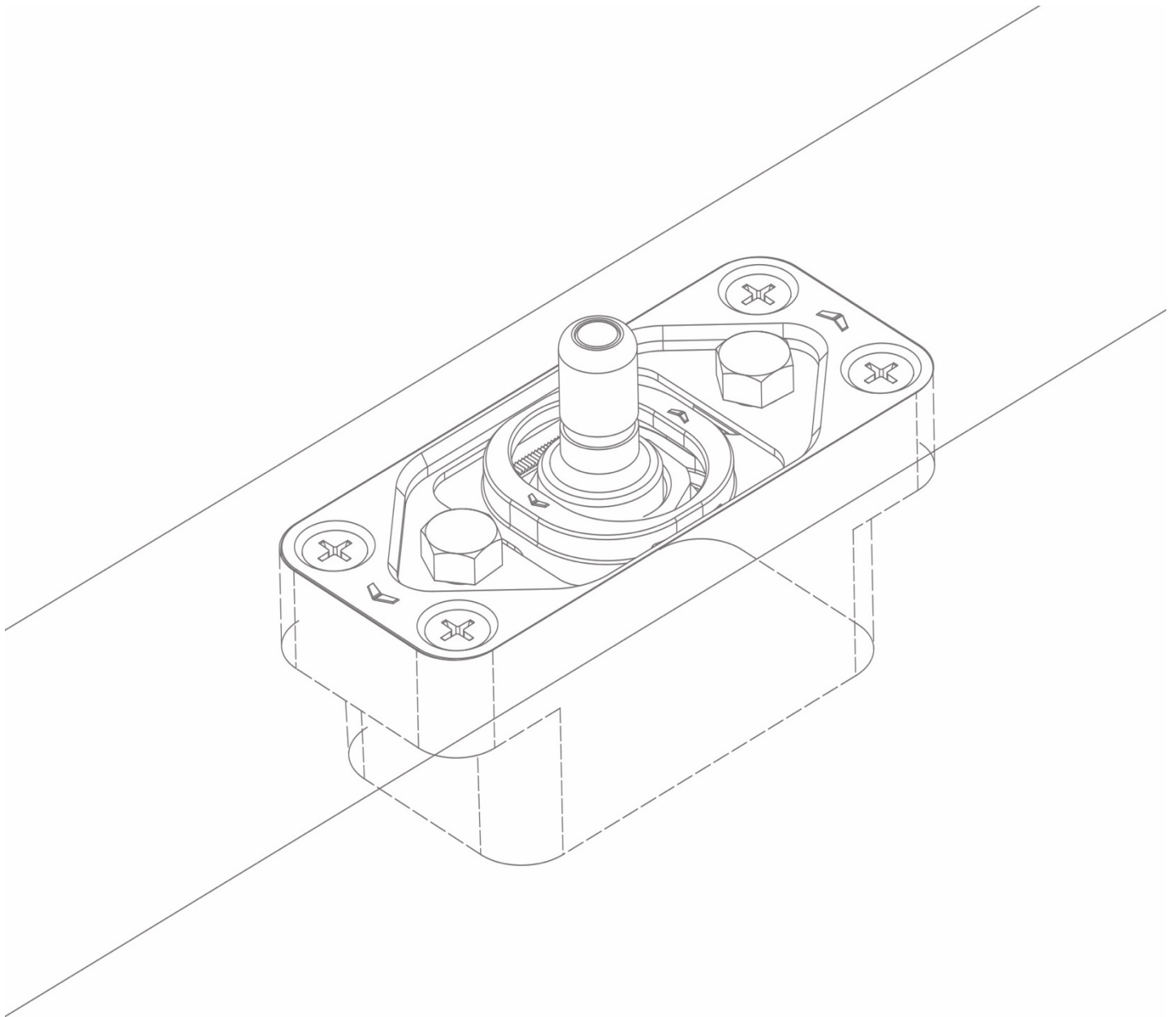


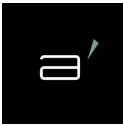
Technical Data Sheet

Arlu® (Argenta®)

# Pivotica Pro E 100

Concealed Self-Closing Pivoting Hinges





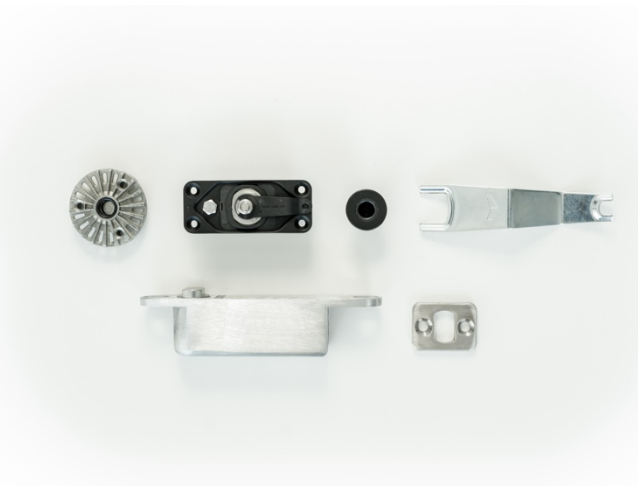
## Pivotica Pro E 100

	Finishes	EAN		Finishes	EAN
<b>FM FO</b>	Black	91500100	FM F90	Black	91500101
	Matt Chrome	91500104		Matt Chrome	91500105
	White	91500108		White	91500109

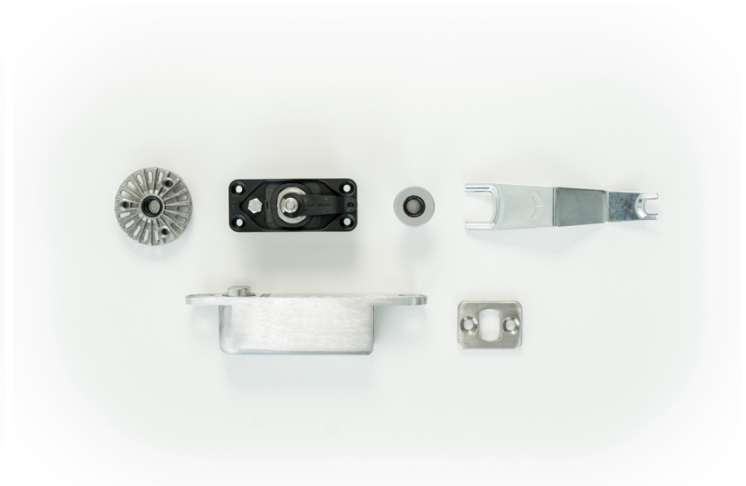
**FM – Floor Mounted**

F) – Free Swing  
90 – Hold Open at 90°

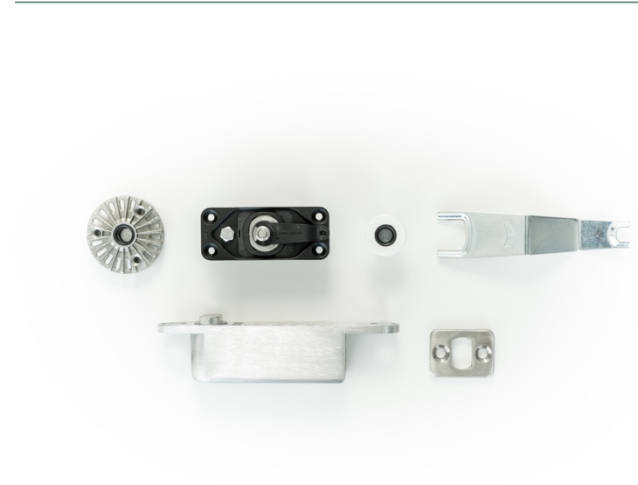
### 1. Black

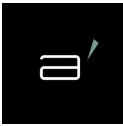


### 2. Matt Chrome



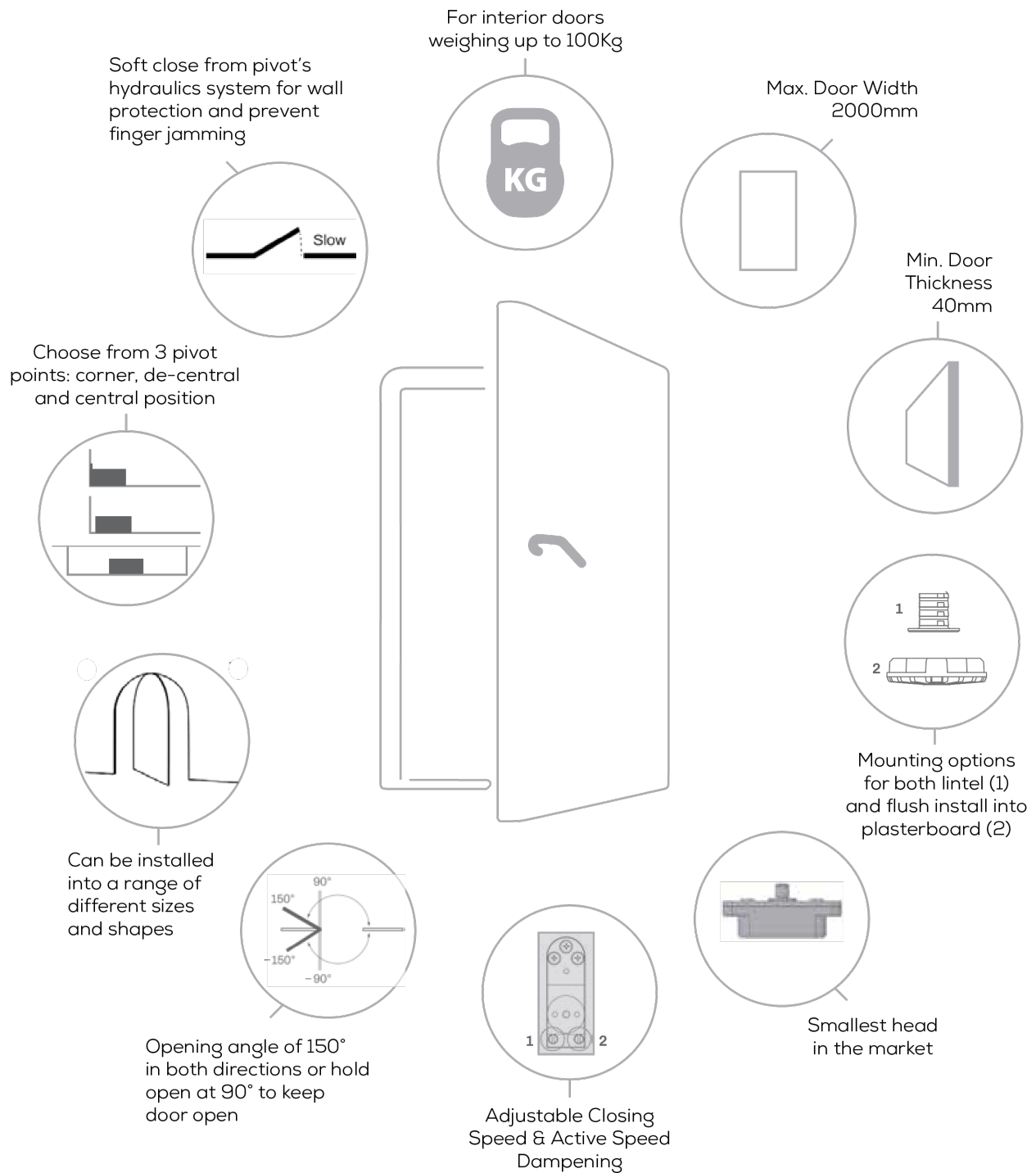
### 3. White

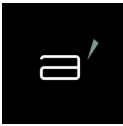




## Pivotica Pro E 100

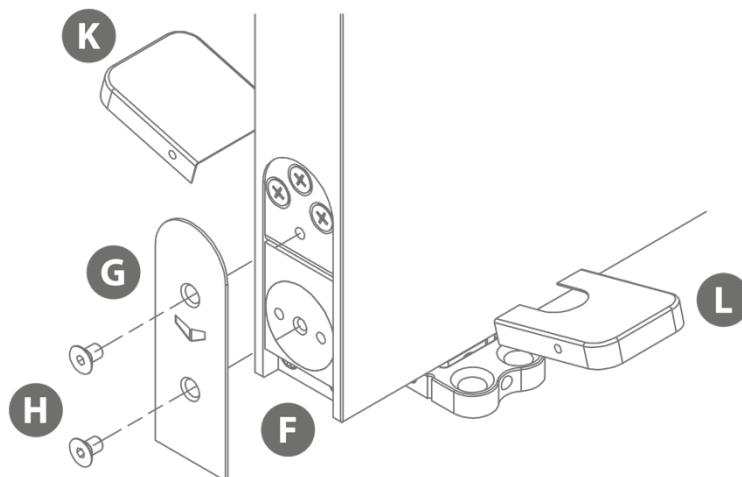
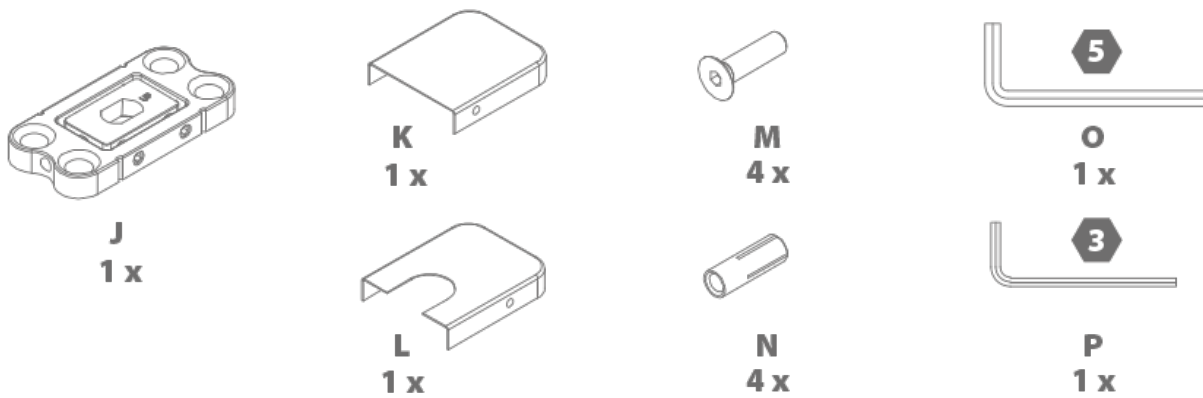
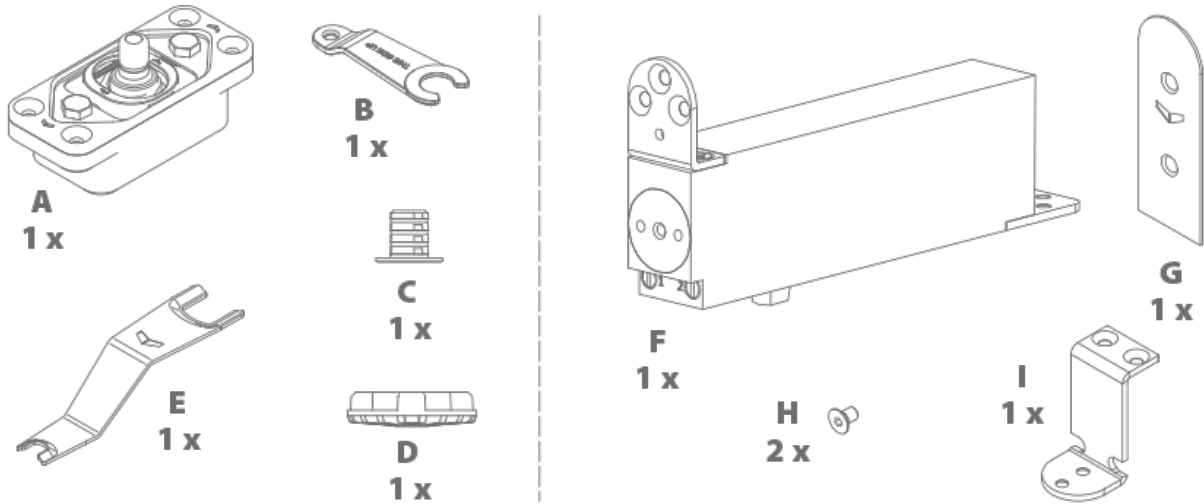
### Overview

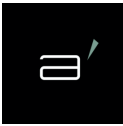




## Pivotica Pro E100

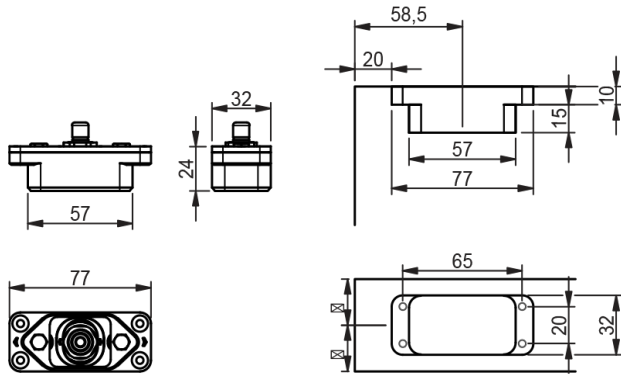
### Accessories and components



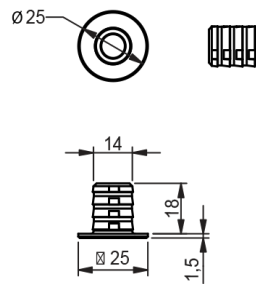


## Pivotica Pro E 100

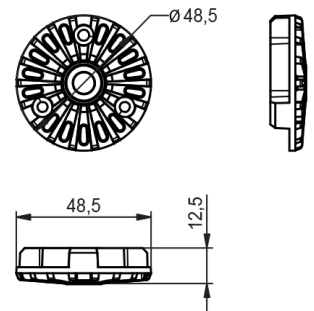
### Adjustable top pivot head



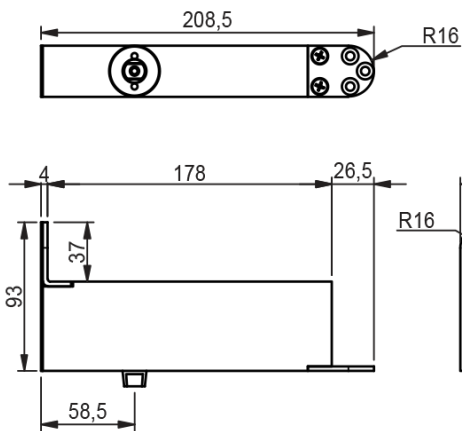
### Standard lintel part



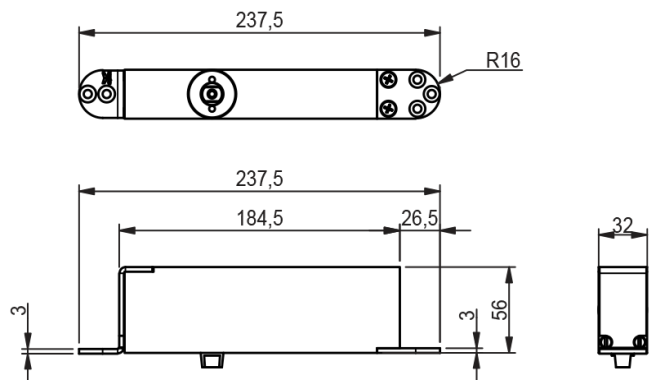
### Seamless ceiling part



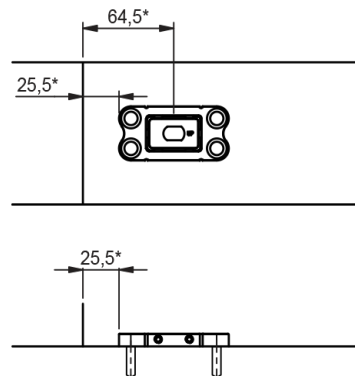
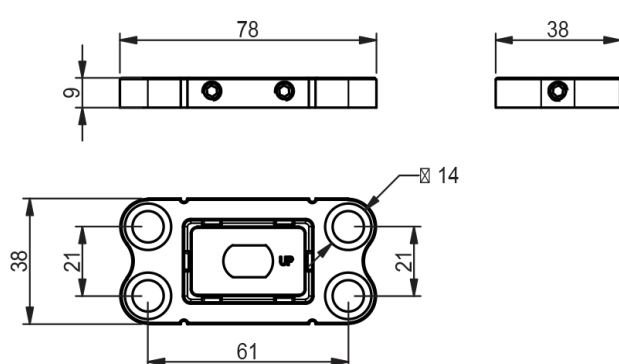
### Pivot body - corner position



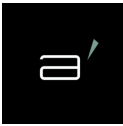
### Pivot body - centre or off - centre



### Floor plate - floor mounted

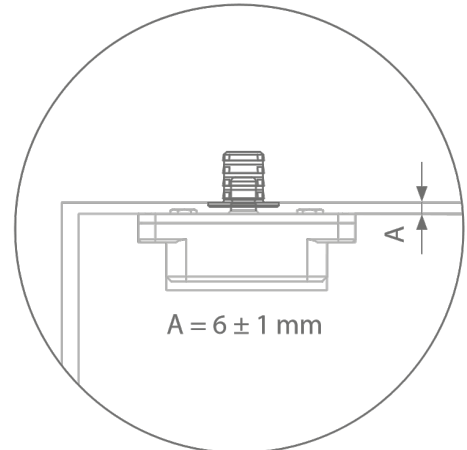
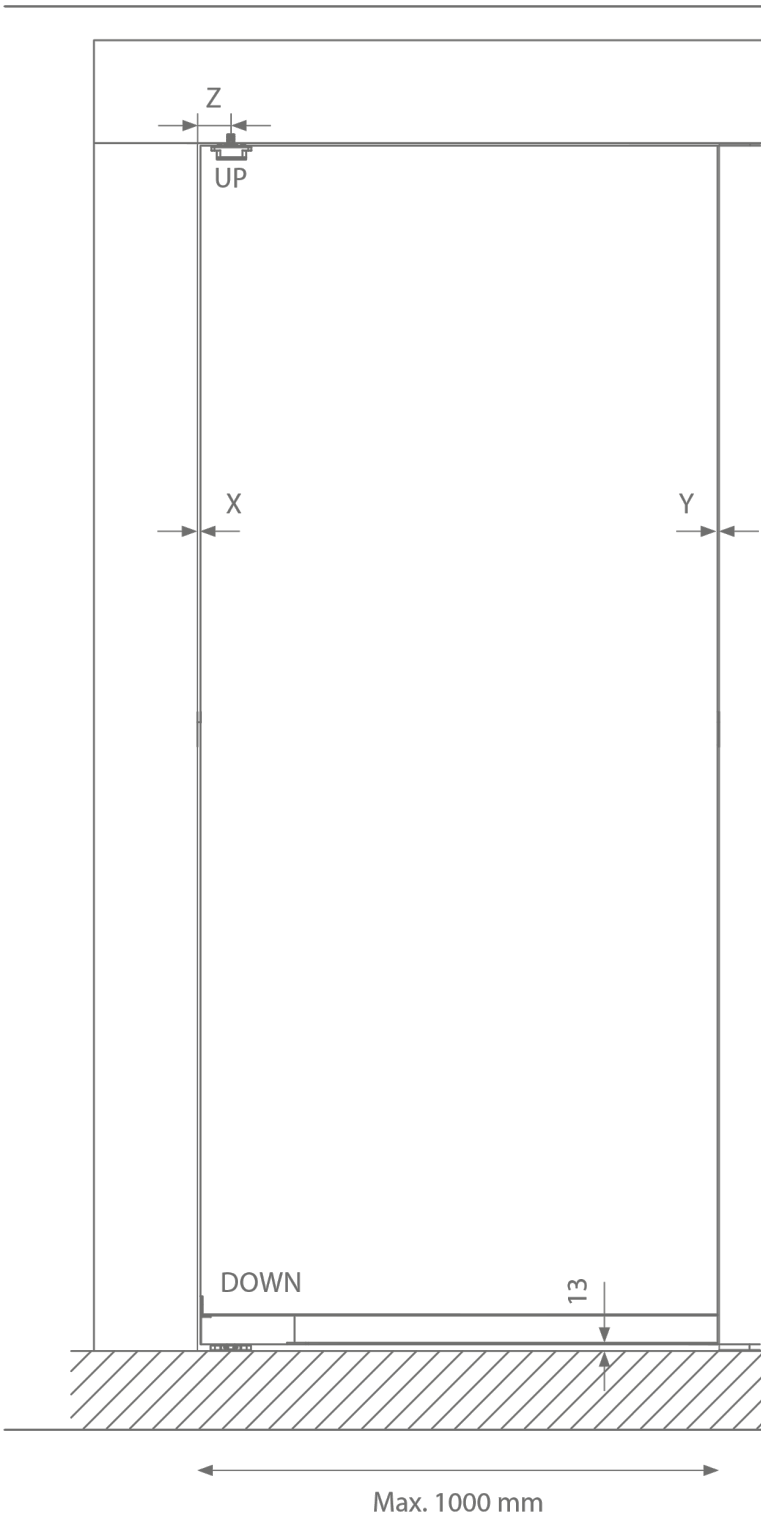


- \* Door 40mm: =
- \* Door 44mm: =
- \* Door 50mm: +1mm
- \* Door 54mm: +2mm

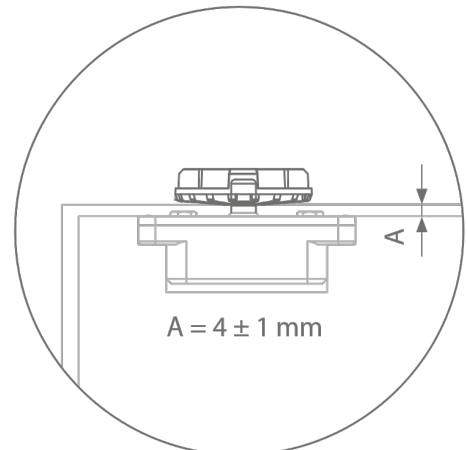


## Pivotica Pro E 100

Installation on the front edge of the floor

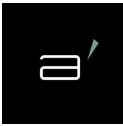


LINTEL MOUNT



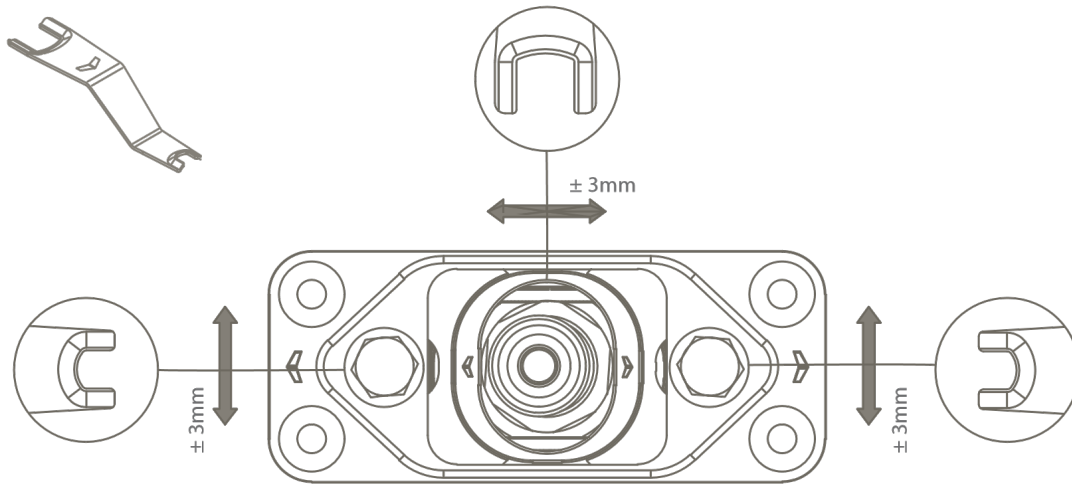
CEILING MOUNT

Door	X	Y	Z
40 mm	6 mm	3 mm	64,5 mm
45 mm	6 mm	3 mm	64,5 mm
50 mm	7 mm	3 mm	65,5 mm
54 mm	8 mm	3 mm	66,5 mm

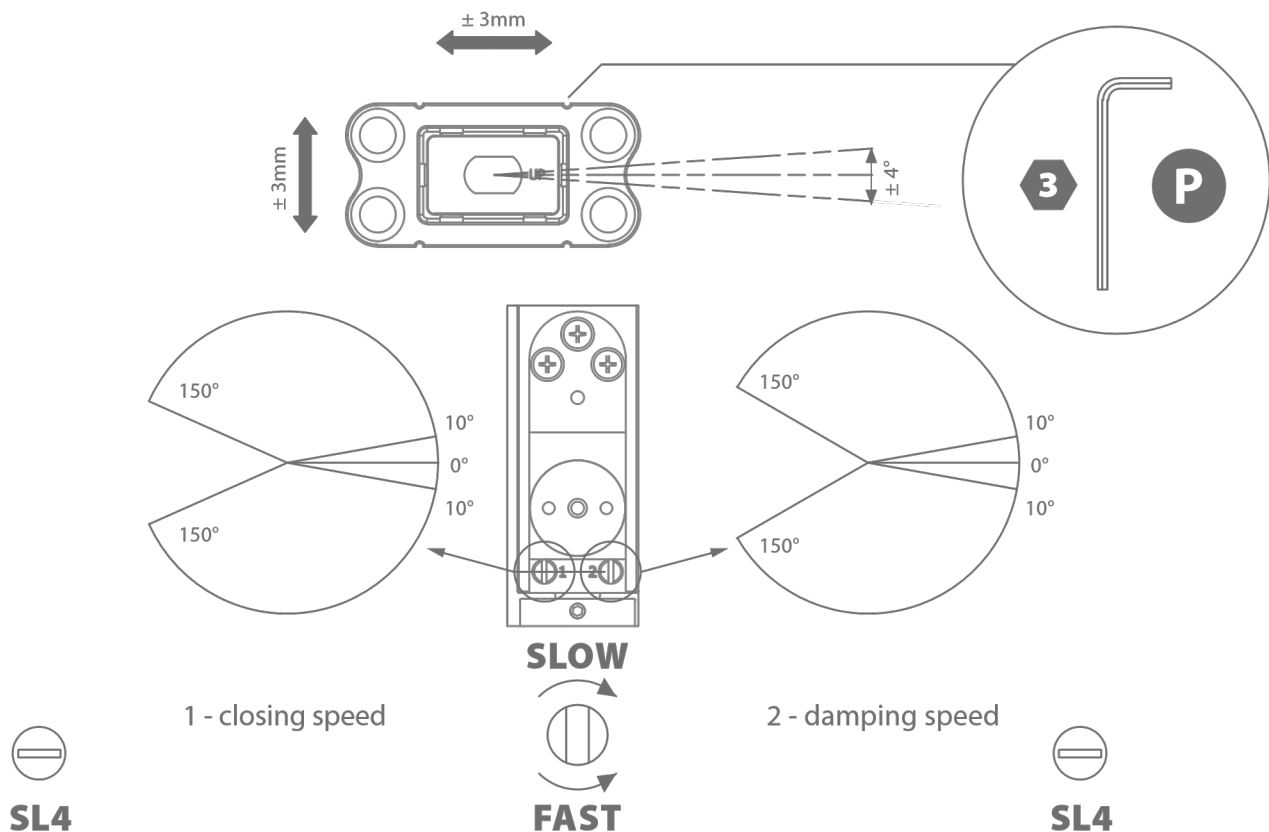


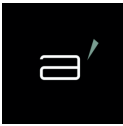
## Pivotica Pro E 100

Upper pivot adjustable both in width and depth



Adjustable floor plate adjust in width and depth



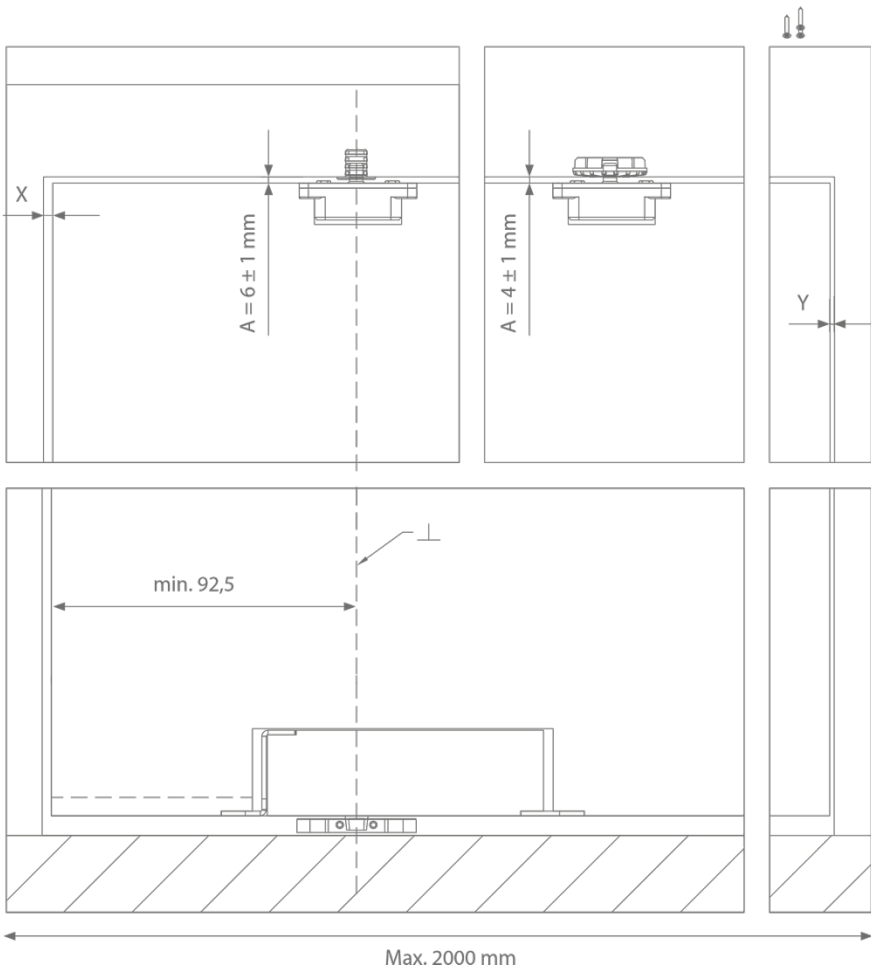
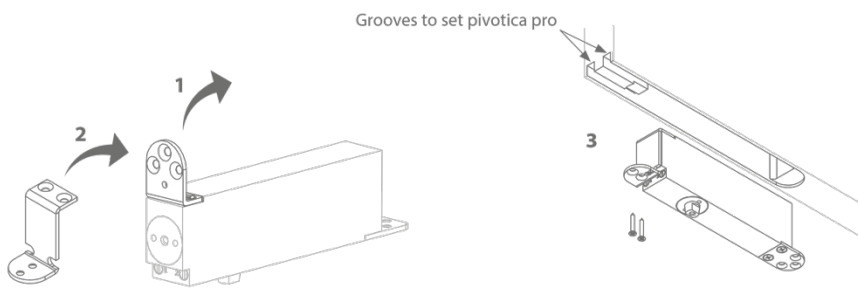


## Pivotica Pro E 100

Installing the bracket onto the pivot body for De-Central and Central positions

### De-Central Position

X = 4mm  
Y = 3mm



FM: Floor Mounted

### 1. Corner Position



### 2. De-Central Position



### 3. Central Position

