

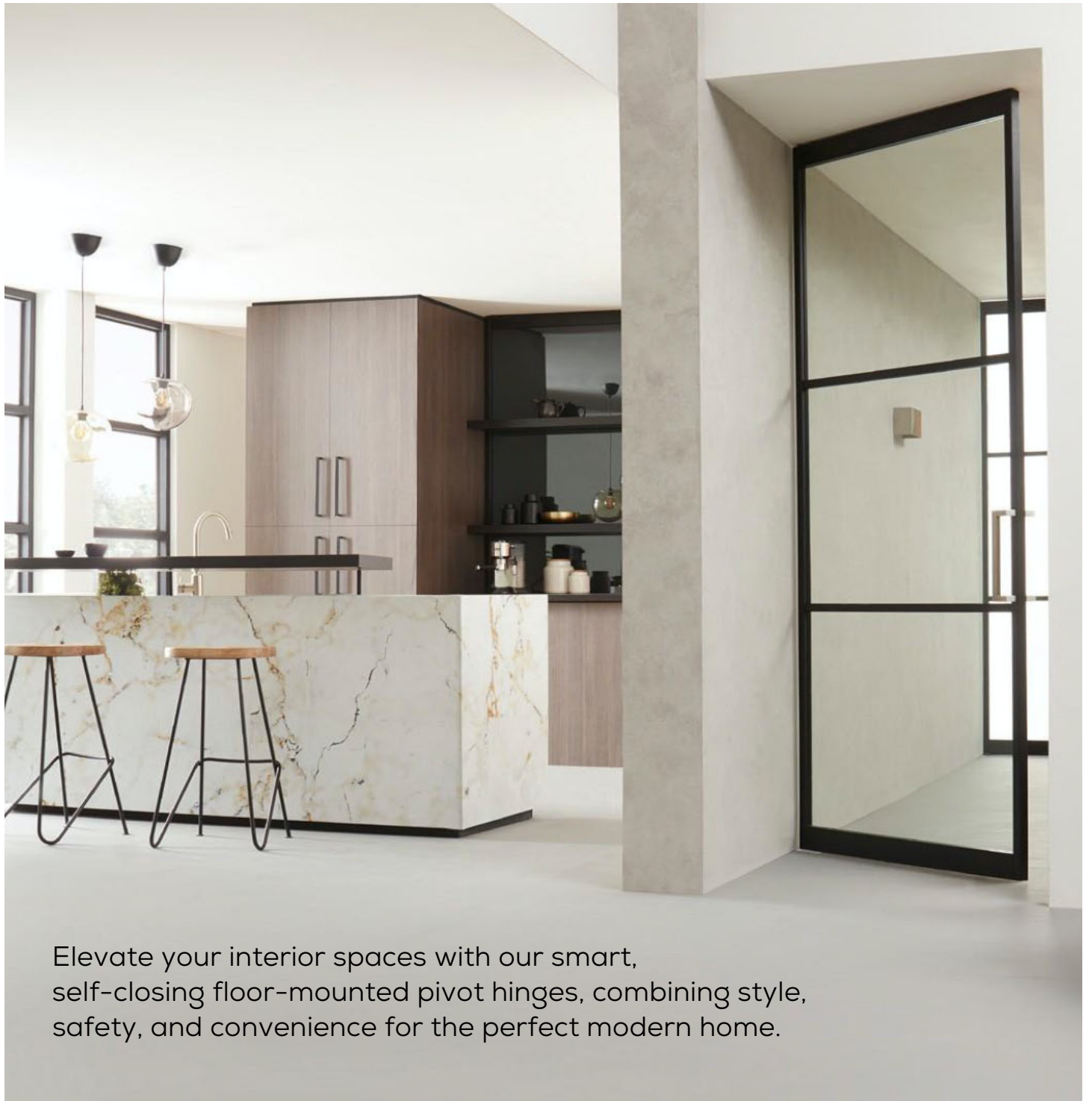


Specifications

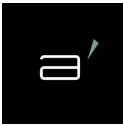
Arlu® (Argenta®)

# Pivotica Pro

100 model for doors weighing 100kg  
150 model for doors weighing 150kg



Elevate your interior spaces with our smart, self-closing floor-mounted pivot hinges, combining style, safety, and convenience for the perfect modern home.



## Enhance your home with our smart self-closing floor mounted pivot hinges

Upgrade your interior doors with our advanced self-closing floor-mounted pivot hinges. Designed to offer a sleek, modern look, these hinges allow doors to open 150 degrees in both directions, making them a stylish and child-friendly choice for family homes.

### Benefits

- **Quick and easy installation:** Simplifies the setup process
- **Wide opening angle:** Provides flexibility with a 150° opening in both directions
- **Optional holding position:** Keeps doors open at 90° without a doorstop
- **Safety for underfloor heating:** Compatible with underfloor heating systems
- **Customisable pivot positions:** Allows free choice of hinge points
- **Adjustable alignment:** Ensures straight and precise door alignment
- **Sturdy construction:** Supports doors up to 150kg with an active 2-speed damper for smooth operation.

### Installation and Adjustability

- **Easy installation:** Can be installed quickly and easily, either surface-mounted or built-in
- **Flexible installation:** Safe for underfloor heating applications and offers a free choice of pivot positions
- **Adjustable features:** Includes adjustable alignment and a bottom plate for precise positioning
- **Durability:** Suitable for doors weighing 100kg and 150kg, ensuring robust support.

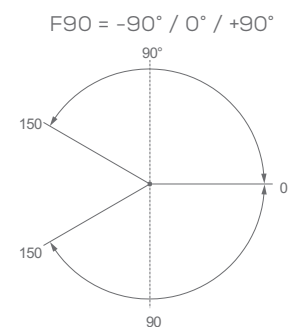
### Key Features

- **Sleek design:** Achieve a clean, modern aesthetic with doors that blend seamlessly with your walls
- **Bidirectional opening:** Doors can open up to 150 degrees in both directions, enhancing accessibility
- **Child friendly:** The hinges are designed with safety in mind, making them ideal for family homes.

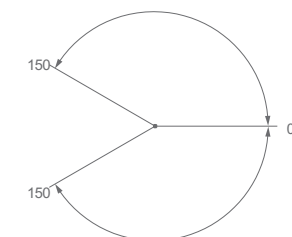
### Innovative Functionality

- **Active closure damper:** Ensures doors return to their zero position, maintaining a flush alignment with the wall
- **Optional 90° holding position:** Keeps doors open at 90 degrees in both directions without needing a doorstop.

### Holding Positions



F0 = 0°  
(always returns to closed positions)





# Position/Adjustment





# Technical Details

FM (Floor Mounted)	Pivotica Pro 100 FM	Pivotica Pro 150 FM
Door weight	Max. 100 kg	Max. 150 kg
Door thickness	Min. 40 mm - Max. 100 mm	Min. 50 mm - Max. 100 mm
Door width*	2000 mm	< 100 kg = 2500 mm 100 kg = 2000 mm
Door height	3000 mm	3000 mm
Width adjustment	- 3 / + 3 mm	- 3 / + 3 mm
Depth adjustment	- 3 / + 3 mm	- 3 / + 3 mm
Height adjustment	/	/
Alignment	- 4 / + 4 °	- 4 / + 4 °
Holding position	0° (= F0) or -90° / 0° / 90° (= F90)	0° (= F0) or -90° / 0° / 90° (= F90)
Bottom door clearance	13 mm	13 mm

BI (= Built in )	Pivotica Pro 100 FM	Pivotica Pro 150 FM
Door weight	Max. 100 kg	Max. 150 kg
Door thickness	Min. 40 mm - Max. 100 mm	Min. 50 mm - Max. 100 mm
Door width*	2000 mm	< 100 kg = 2500 mm 100 kg = 2000 mm
Door height	3000 mm	3000 mm
Width adjustment	- 3 / + 3 mm	- 3 / + 3 mm
Depth adjustment	- 3 / + 3 mm	- 3 / + 3 mm
Height adjustment	+ 6 mm	+ 6 mm
Alignment	- 4 / + 4 °	- 4 / + 4 °
Holding position	0° (= F0) or -90° / 0° / 90° (= F90)	0° (= F0) or -90° / 0° / 90° (= F90)
Bottom door clearance	Min. 5 - Max. 11 mm	Min. 5 - Max. 11 mm

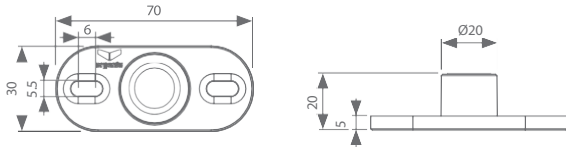
\* = with a central position

Naming System	Door weight	Montagesituatie	Holding position
Pivotica Pro	100	FM	F90
	100	FM	F0
	100	BI	F90
	100	BI	F0
Pivotica Pro	100	FM	F90
	100	FM	F0
	100	BI	F90
	100	BI	F0

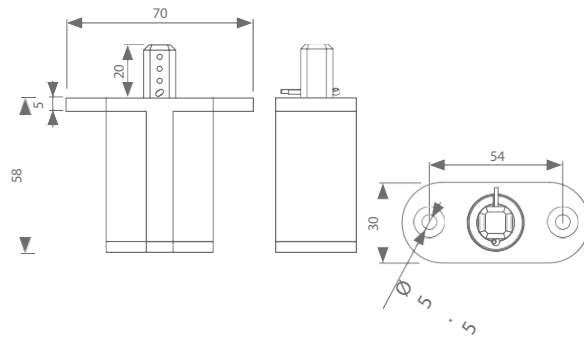


## Pivotica Pro 100

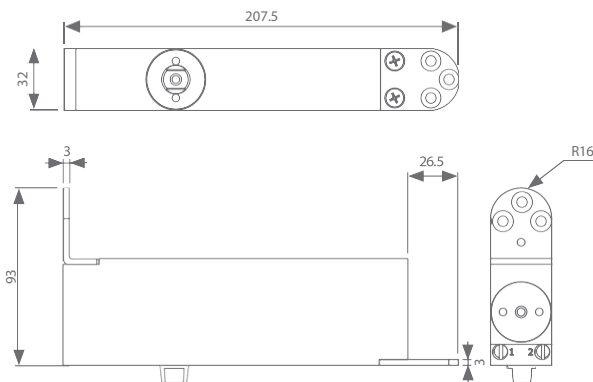
Top parts of door opening / Door Jamb



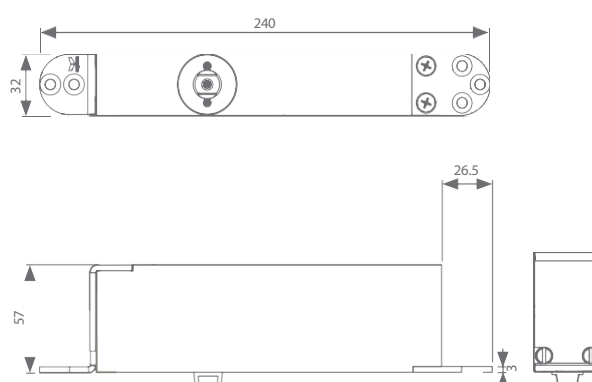
Top part of door



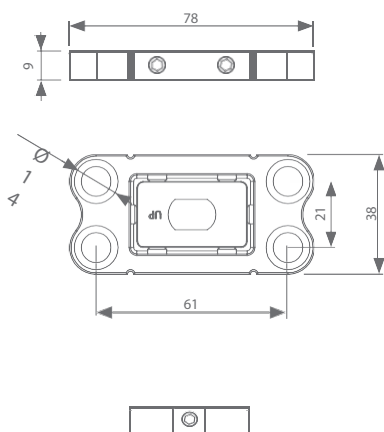
Bottom part door - corner position



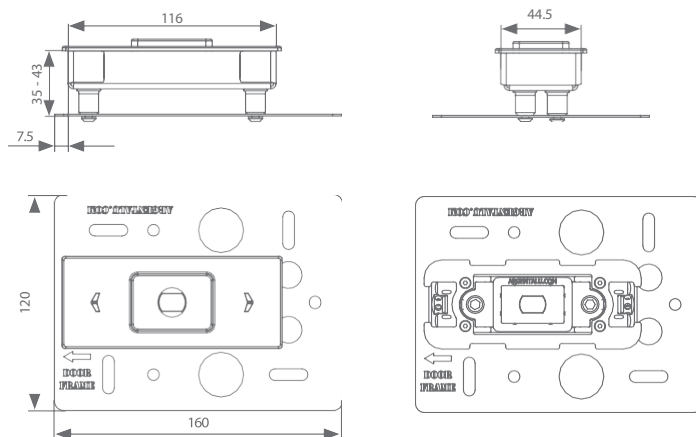
Bottom part door - centre or off-centre position



Floor plate - Floor-mounted (= FM)



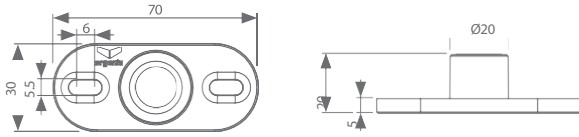
Floor plate - Built-in (= BI)



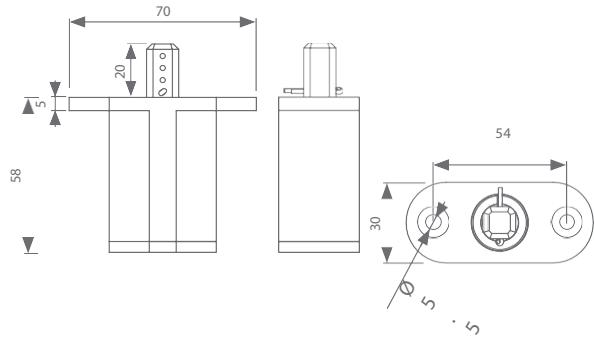


## Pivotica Pro 150

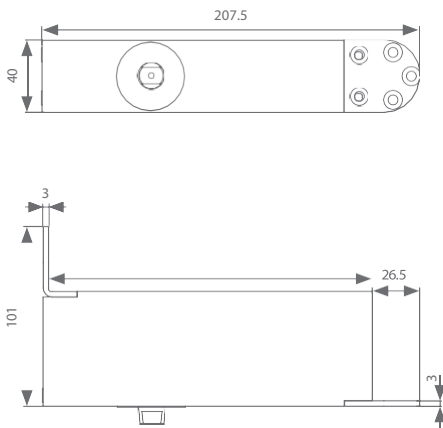
Top part of door opening / Door Jamb



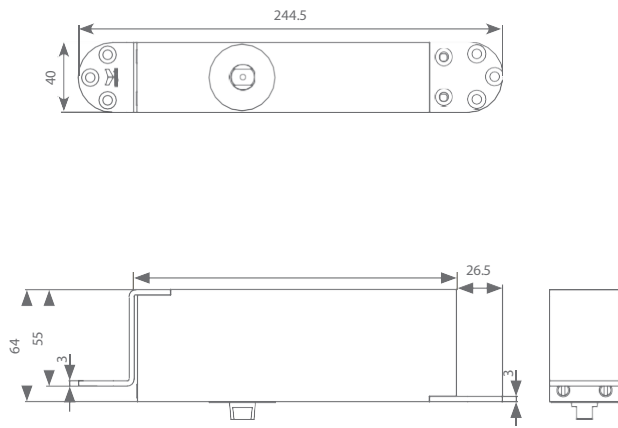
Top part of door



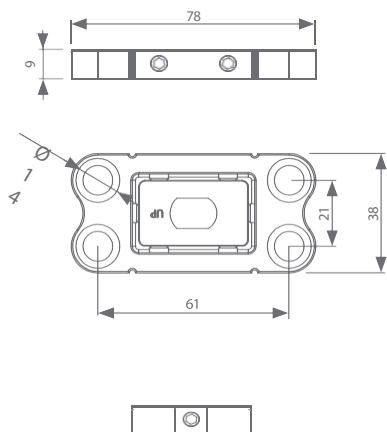
Bottom part of door - corner position



Bottom part of door - centre or off-centre position



Floor Plate - Floor-mounted (= FM)



Floor plate - Built-in (= BI)

